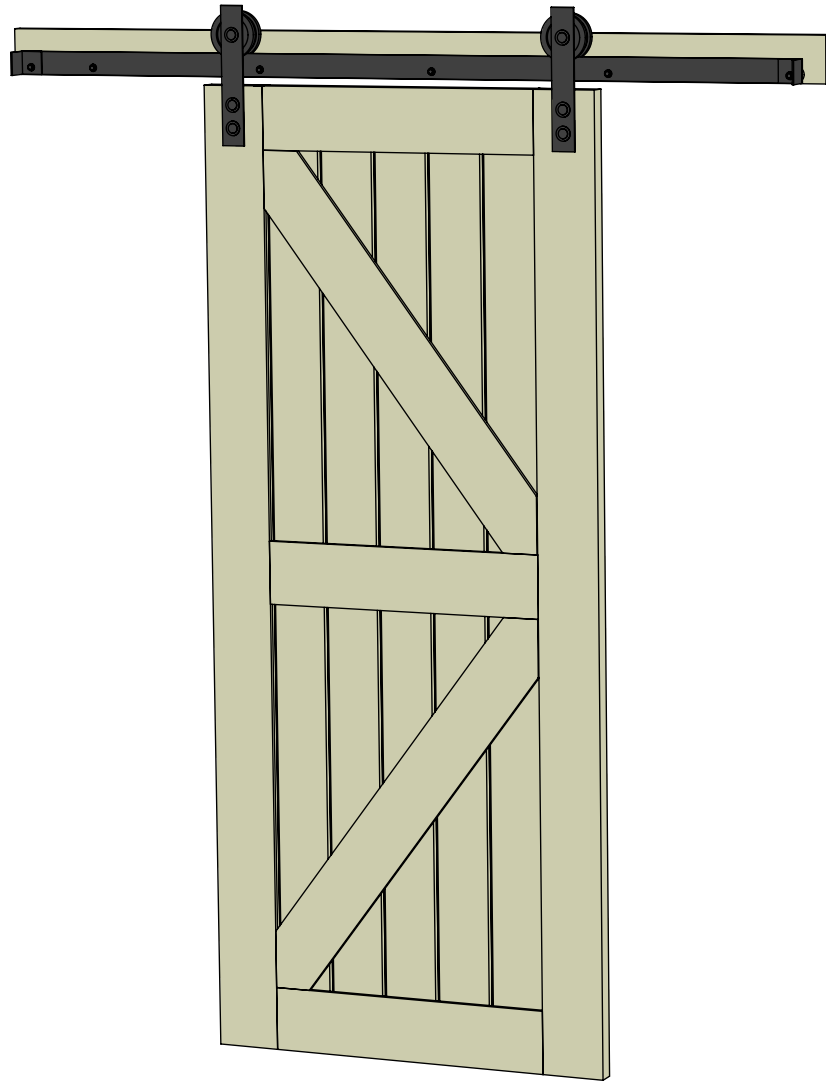




www.mrfixitdiy.com
aaron@mrfixitdiy.com

DIY SLIDING BARN DOOR



SCAN CODE TO WATCH
PROJECT VIDEO

DIRECTIONS

- CUT ALL MATERIALS FOR DOOR
- ASSEMBLE DOOR WITH GLUE
- CUT HANGING STRIP, HANGING BAR, TRACK, TRACK STOPS, & SPACERS
- PAINT METAL HARDWARE
- MOUNT HANGING STRIP
- INSTALL SPACERS, TRACK, & TRACK STOPS
- ATTACH HARDWARE TO DOOR
- HANG DOOR

MATERIALS		
ITEM	QTY	COST *
2"X6" 8'	3	7.50
1"X6" 8'	1	8.07
TOUNGE AND GROOVE	3	21.36
1"X4" 8'	1	2.49
BAR STOCK, 2"X72" 1/8" THICK	1	15.00
BAR STOCK, 2"X12" 1/8" THICK	2	7.50
ANGLE, 2"X2" 1/8 THICK, 12" LONG	1	5.60
WHEEL	2	7.50
1/4" WASHER	6	1.18
1/4" LAG, 6" LONG	6	4.38
3/8" WASHER	6	1.38
3/8" NUT	6	2.70
3/8" CARRIAGE BOLT, 2-1/2" LONG	6	2.76
TOTAL		67.52

* MATERIALS WERE SOURCED THROUGH LOCAL MARKET IN 2018

PROJECT NAME: DIY SLIDING BARN DOOR

DRAWING NAME: COVER SHEET

REV	DATE	BY	DESCRIPTION
A	5/5/18	MP	INITIAL RELEASE

Amassed Media Group, LLC and it's affiliates are not responsible for any damages that may come to persons or properties involved during the creation or use of this project or plans. The use of these plans and construction of this projects is acknowledgement that you as the fabricator assume all liability for proper construction and safe use of the project through all stages.

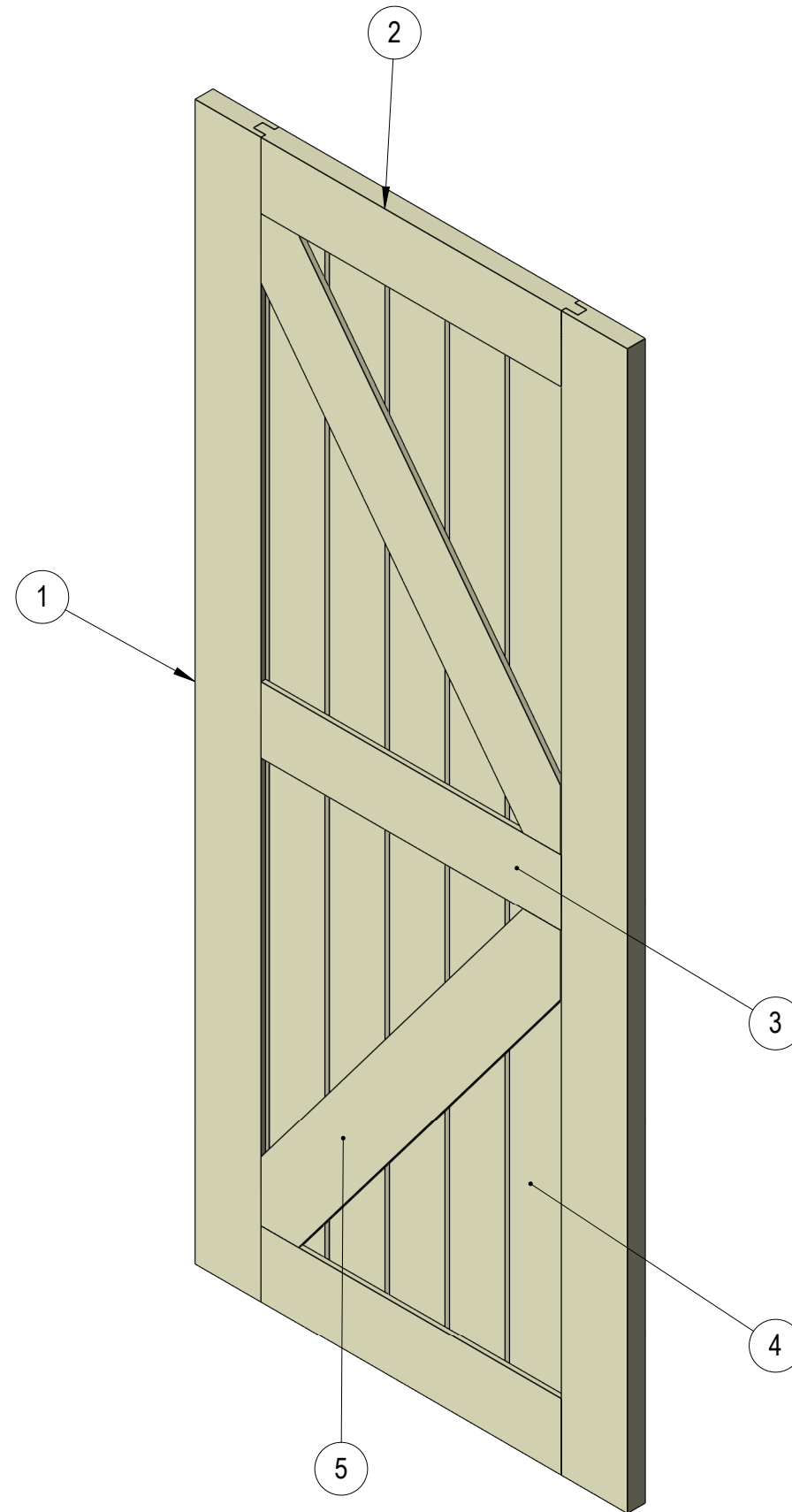
Drawings By: Woodshop Mike, LLC

DWN BY:
MP

SCALE:

SHT. NO:
C-1.00

ITEMNO	DESCRIPTION	QTY	LENGTH
1	STILES, 1-1/2" X 5-1/2"	2	84"
2	RAILS, 1-1/2" X 5-1/2"	2	27"
3	CROSS RAIL, 1-1/2" X 5-1/2"	1	27"
4	TOUNGE AND GROOVE, 1" X 6"	21	35-1/2"
5	DECORATIVE SILES, 1" X 6"	2	42"



www.mrfixitdiy.com
aaron@mrfixitdiy.com

TOLERANCES UNLESS OTHERWISE SPECIFIED

LINEAR
±1/16"


ANGULAR
±1°

PROJECT NAME: DIY SLIDING BARN DOOR

DRAWING NAME: BENCH ASSEMBLY

REV	DATE	BY	DESCRIPTION
A	5/5/18	MP	INITIAL RELEASE

Amassed Media Group, LLC and it's affiliates are not responsible for any damages that may come to persons or properties involved during the creation or use of this project or plans. The use of these plans and construction of this projects is acknowledgement that you as the fabricator assume all liability for proper construction and safe use of the project through all stages.

Drawings By: Woodshop Mike, LLC 

DWN BY:
MP

SCALE: 1:10

SHT. NO:

P-1.00

Reproduction of this document without the written authorization of Amassed Media Group, LLC is strictly prohibited Copyright 2018, Amassed Media Group, LLC

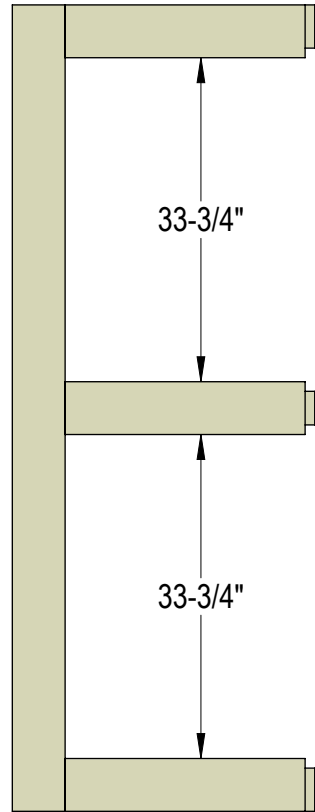


www.mrfixitdiy.com
aaron@mrfixitdiy.com

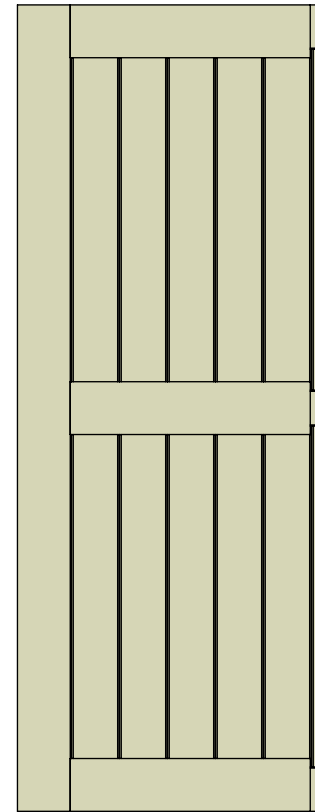
TOLERANCES UNLESS OTHERWISE SPECIFIED

LINEAR
±1/16"

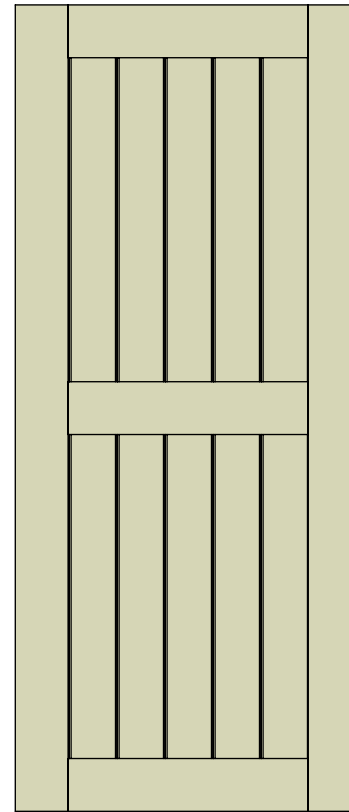
ANGULAR
±1°



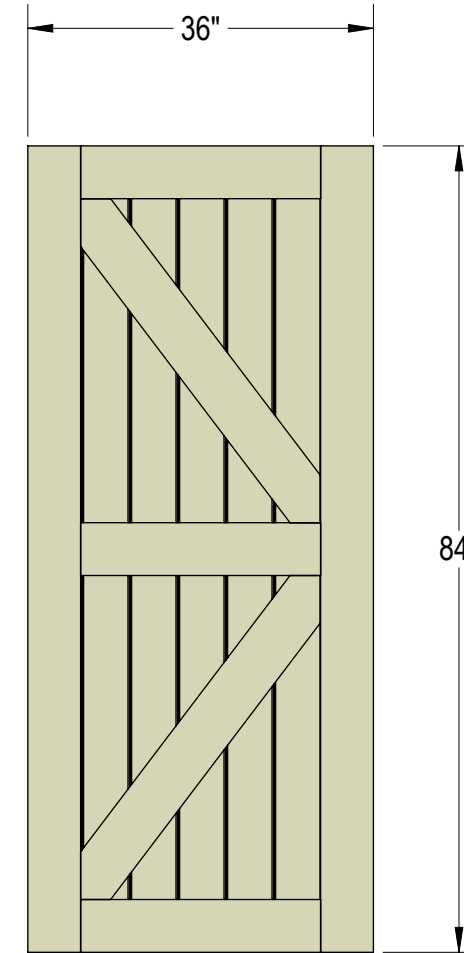
STEP 1



STEP 2



STEP 3




STEP 4

PROJECT NAME: DIY SLIDING BARN DOOR
DRAWING NAME: DOOR ASSEMBLY STEPS

REV	DATE	BY	DESCRIPTION
A	5/5/18	MP	INITIAL RELEASE

Amassed Media Group, LLC and it's affiliates are not responsible for any damages that may come to persons or properties involved during the creation or use of this project or plans. The use of these plans and construction of this projects is acknowledgement that you as the fabricator assume all liability for proper construction and safe use of the project through all stages.

Drawings By: Woodshop Mike, LLC 

DWN BY:
MP

SCALE: 1:20

SHT. NO:

P-1.01

Reproduction of this document without the written authorization of Amassed Media Group, LLC is strictly prohibited Copyright 2018, Amassed Media Group, LLC



www.mrfixitdiy.com
aaron@mrfixitdiy.com

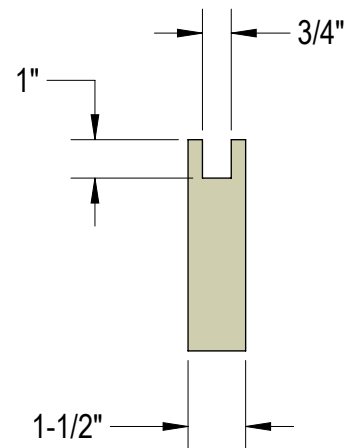
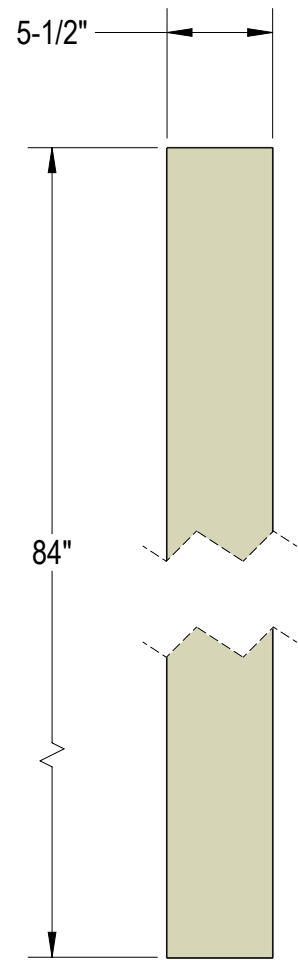
TOLERANCES UNLESS OTHERWISE SPECIFIED

LINEAR

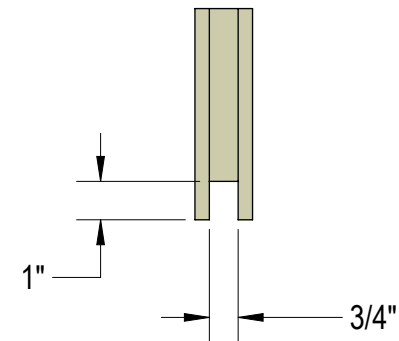
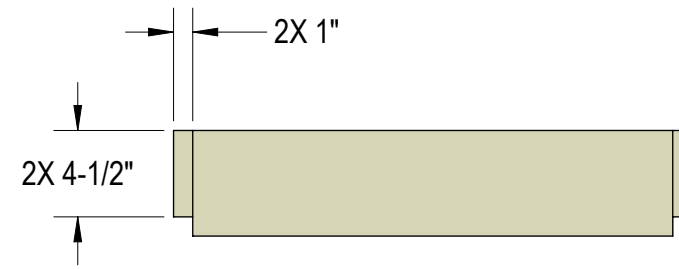
± 1/16"

ANGULAR

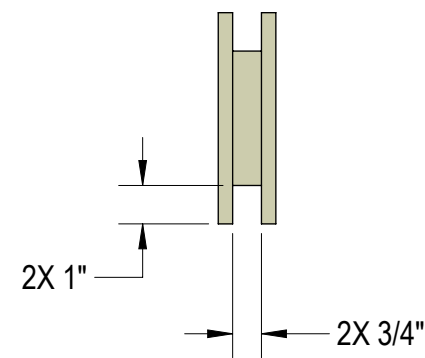
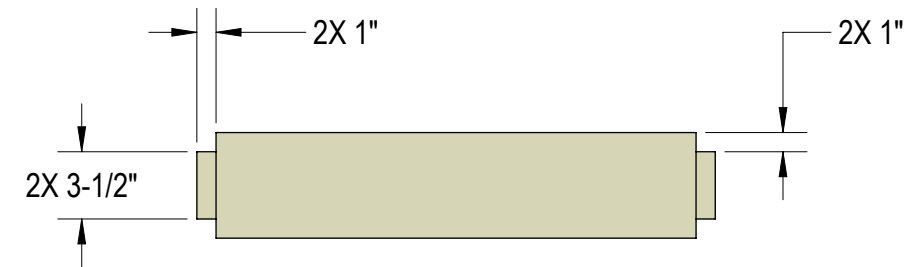
± 1°



STILES



RAILS



CENTER RAIL

PROJECT NAME: DIY SLIDING BARN DOOR

DRAWING NAME: DOOR PARTS

REV	DATE	BY	DESCRIPTION
A	5/5/18	MP	INITIAL RELEASE

Amassed Media Group, LLC and its affiliates are not responsible for any damages that may come to persons or properties involved during the creation or use of this project or plans. The use of these plans and construction of this projects is acknowledgement that you as the fabricator assume all liability for proper construction and safe use of the project through all stages.

Drawings By: Woodshop Mike, LLC 

DWN BY:
MP

SCALE: 1:10

SHT. NO:

P-1.02



www.mrfixitdiy.com
aaron@mrfixitdiy.com

TOLERANCES UNLESS OTHERWISE SPECIFIED

LINEAR
±1/16"


ANGULAR
±1°

PROJECT NAME: DIY SLIDING BARN DOOR

DRAWING NAME: DOOR PARTS

REV	DATE	BY	DESCRIPTION
A	5/5/18	MP	INITIAL RELEASE

Amassed Media Group, LLC and its affiliates are not responsible for any damages that may come to persons or properties involved during the creation or use of this project or plans. The use of these plans and construction of this projects is acknowledgement that you as the fabricator assume all liability for proper construction and safe use of the project through all stages.

Drawings By: Woodshop Mike, LLC 

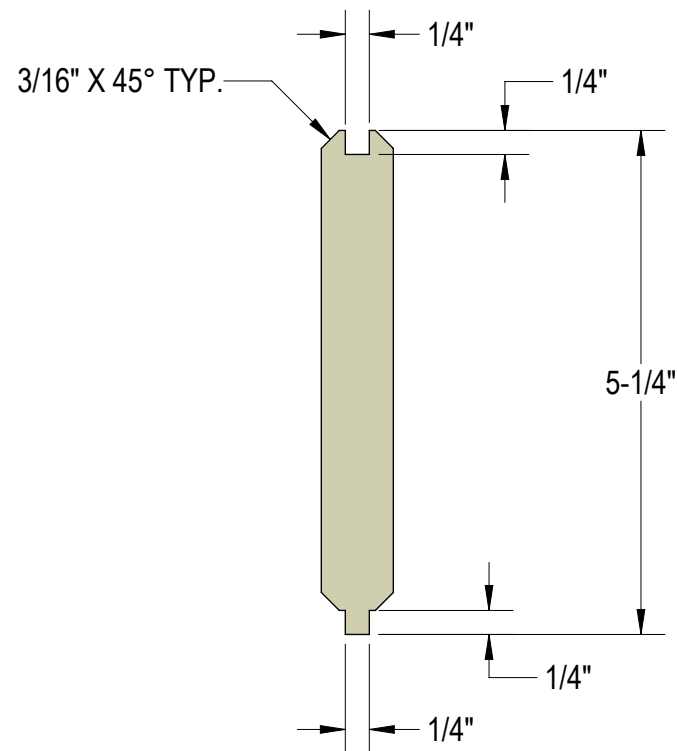
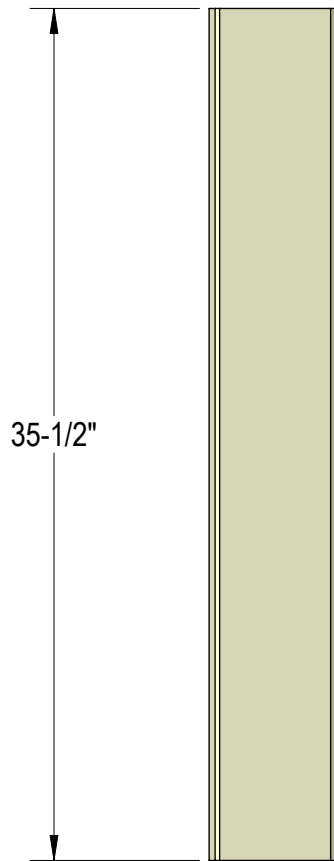
DWN BY:
MP

SCALE: 1:8

SHT. NO:

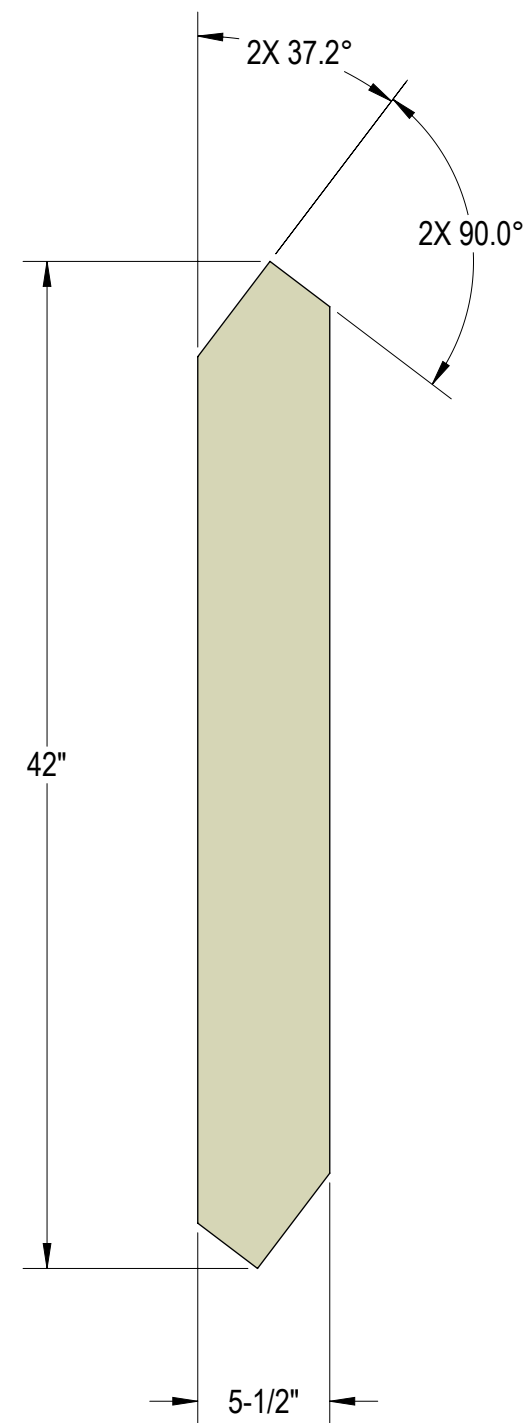
P-1.03

Reproduction of this document without the written authorization of Amassed Media Group, LLC is strictly prohibited Copyright 2018, Amassed Media Group, LLC



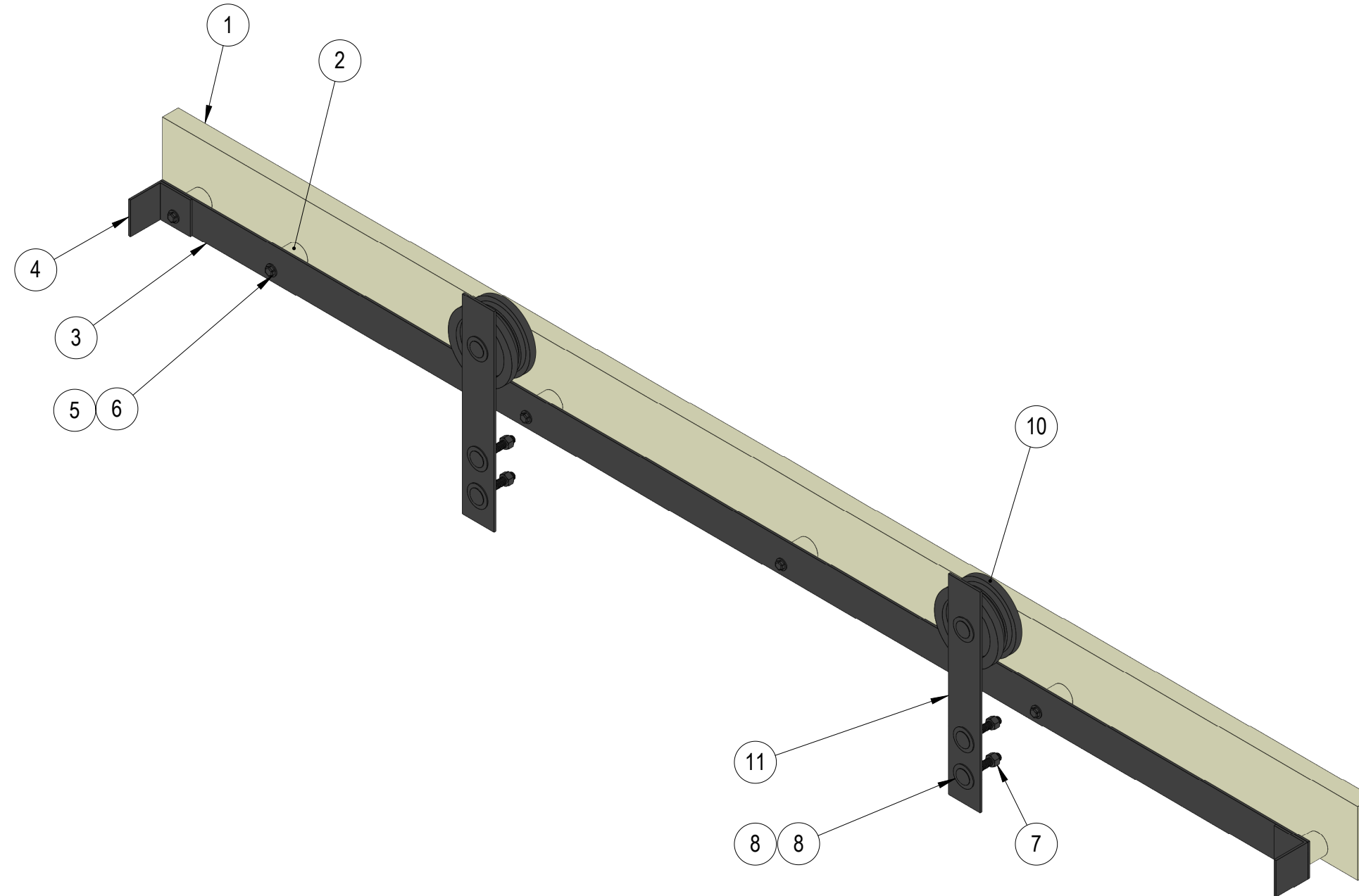
TOUNGE AND GROOVE

TOUNGE AND GROOVE CAN BE PURCHASED OR MILLED.
PROFILE IS FOR REFERENCE IF YOU CHOOSE TO MILL YOUR OWN



DECORATIVE STILES

ITEMNO	DESCRIPTION	QTY
1	MOUNTING STRIP, 1" X 4"	1
2	SPACER	6
3	TRACK	1
4	TRACK STOP	1
5	1/4" WASHER	6
6	1/4" LAG X 6"	6
7	3/8" NUT	6
8	3/8" WASHER	6
9	CARRIAGE BOLT, 3/8" X 2-1/4"	6
10	WHEEL	2
11	HANGING BAR	2



www.mrfixitdiy.com
aaron@mrfixitdiy.com

TOLERANCES UNLESS OTHERWISE SPECIFIED

LINEAR
±1/16"


ANGULAR
±1°

PROJECT NAME: DIY SLIDING BARN DOOR

DRAWING NAME: TRACK ASSEMBLY

REV	DATE	BY	DESCRIPTION
A	5/5/18	MP	INITIAL RELEASE

Amassed Media Group, LLC and its affiliates are not responsible for any damages that may come to persons or properties involved during the creation or use of this project or plans. The use of these plans and construction of this projects is acknowledgement that you as the fabricator assume all liability for proper construction and safe use of the project through all stages.

Drawings By: Woodshop Mike, LLC 

DWN BY:
MP

SCALE: 1:6

SHT. NO:

P-1.04

Reproduction of this document without the written authorization of Amassed Media Group, LLC is strictly prohibited Copyright 2018, Amassed Media Group, LLC



www.mrfixitdiy.com
aaron@mrfixitdiy.com

TOLERANCES UNLESS OTHERWISE SPECIFIED

LINEAR
±1/16"


ANGULAR
±1°

PROJECT NAME: DIY SLIDING BARN DOOR

DRAWING NAME: TRACK PARTS

REV	DATE	BY	DESCRIPTION
A	5/5/18	MP	INITIAL RELEASE

Amassed Media Group, LLC and its affiliates are not responsible for any damages that may come to persons or properties involved during the creation or use of this project or plans. The use of these plans and construction of this projects is acknowledgement that you as the fabricator assume all liability for proper construction and safe use of the project through all stages.

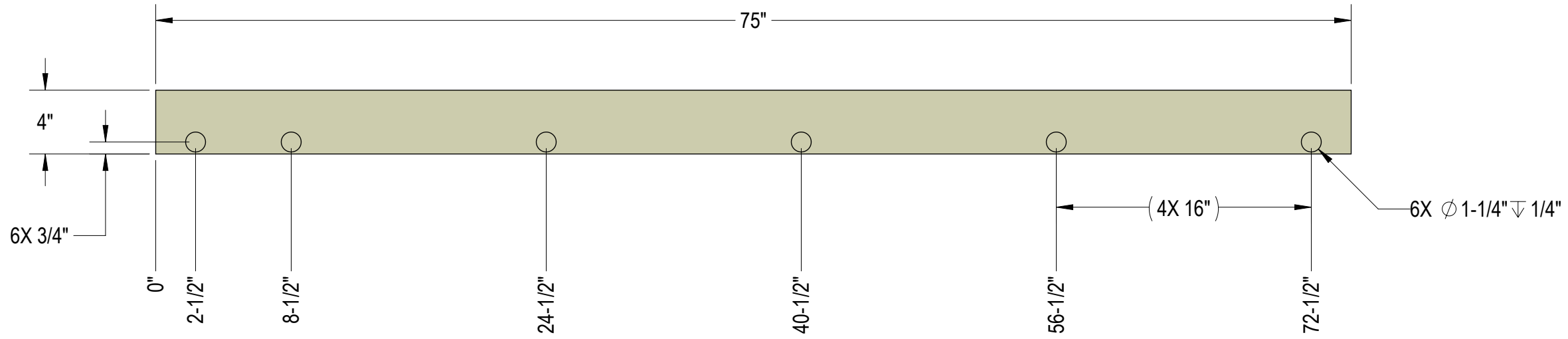
Drawings By: Woodshop Mike, LLC 

DWN BY:
MP

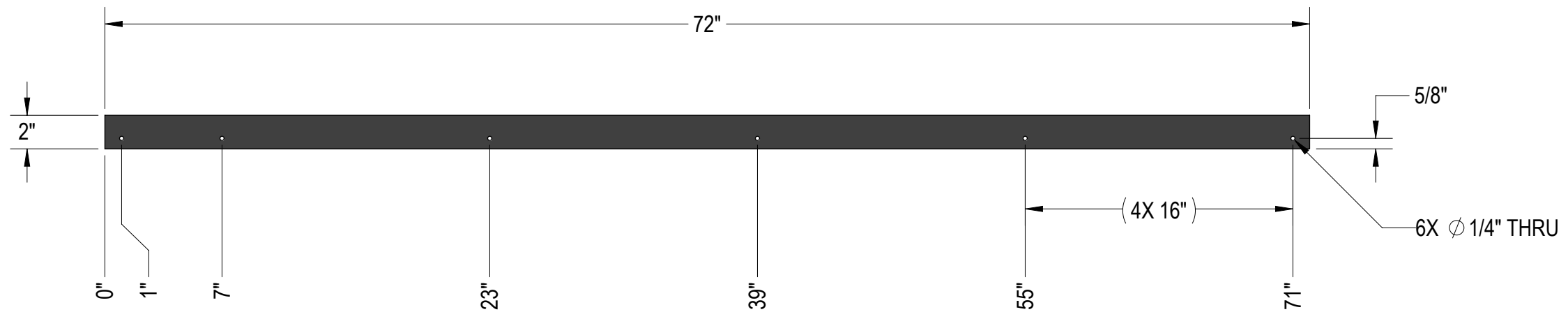
SCALE: 1:8

SHT. NO:

P-1.05



MOUNTING STRIP



TRACK

Reproduction of this document without the written authorization of Amassed Media Group, LLC is strictly prohibited Copyright 2018, Amassed Media Group, LLC

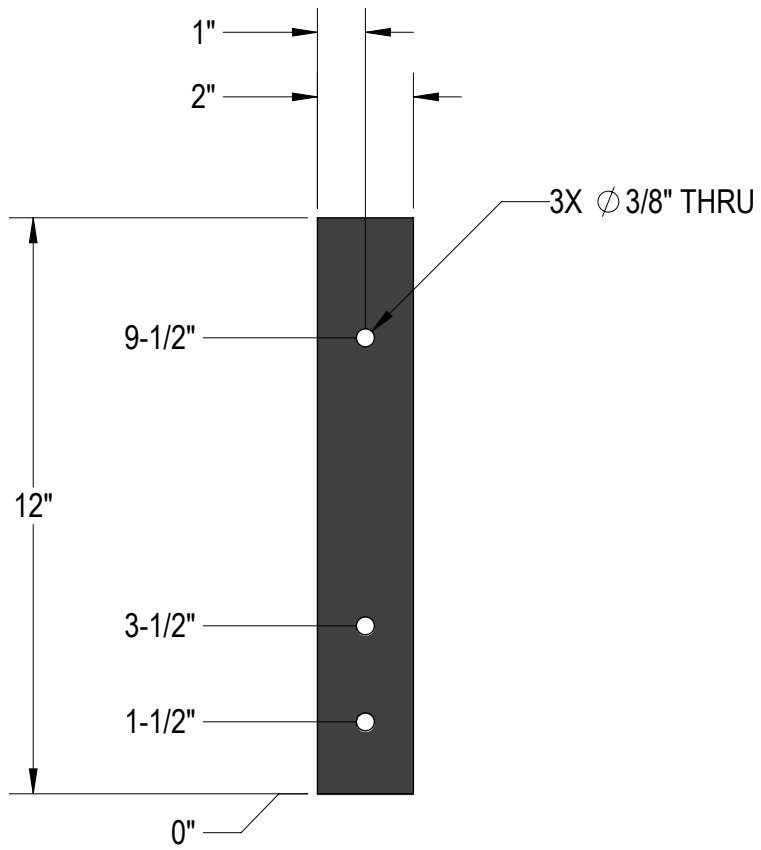


www.mrfixitdiy.com
aaron@mrfixitdiy.com

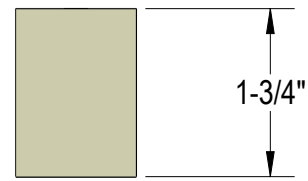
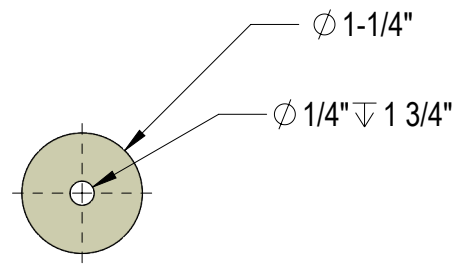
TOLERANCES UNLESS OTHERWISE SPECIFIED

LINEAR
±1/16"

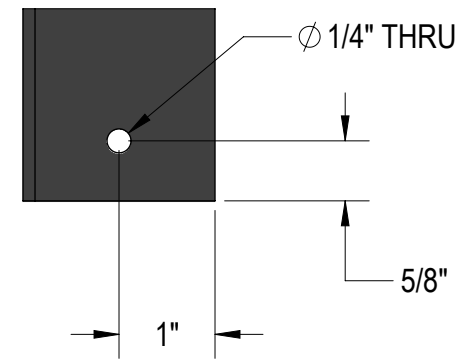
ANGULAR
±1°



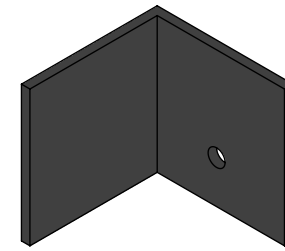
HANGING BAR
SCALE: 1:4



SPACER



TRACK STOP




PROJECT NAME: DIY SLIDING BARN DOOR

DRAWING NAME: TRACK PARTS

REV	DATE	BY	DESCRIPTION
A	5/5/18	MP	INITIAL RELEASE

Amassed Media Group, LLC and its affiliates are not responsible for any damages that may come to persons or properties involved during the creation or use of this project or plans. The use of these plans and construction of this projects is acknowledgement that you as the fabricator assume all liability for proper construction and safe use of the project through all stages.

Drawings By: Woodshop Mike, LLC 

DWN BY:
MP

SCALE: 1:2

SHT. NO:

P-1.06

Reproduction of this document without the written authorization of Amassed Media Group, LLC is strictly prohibited Copyright 2018, Amassed Media Group, LLC