

Cold Frame

Material List:

Item	Qty	Description
A	8	1" 3-way Connector
B	4	1"x47" PVC Pipe
C	4	1"x27-1/2" PVC Pipe
D	4	1"x11" PVC Pipe
E	1	65"x84" 6mil Plastic Sheet
F	17	1-1/4" Snap Clamps 4"
G	30	1" Snap Clamps 4"
H	1	PVC Glue Small Bottle
I	6	3/4" 3-way Connector
J	4	3/4" 45deg. Ell
K	3	3/4"x48 PVC Pipe
L	2	3/4"x28-1/4" PVC Pipe
M	4	3/4"x6" PVC Pipe
P	4	3/4"x20" PVC Pipe
S	1	65"x57" 4mil Clear Plastic
T	2	38"x26" 4mil Clear Plastic

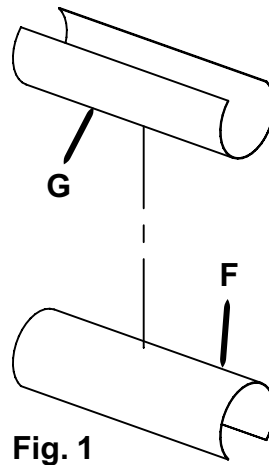


Fig. 1

Glue 3 of Items F and G together with Item H to create hinges as shown in Fig.1

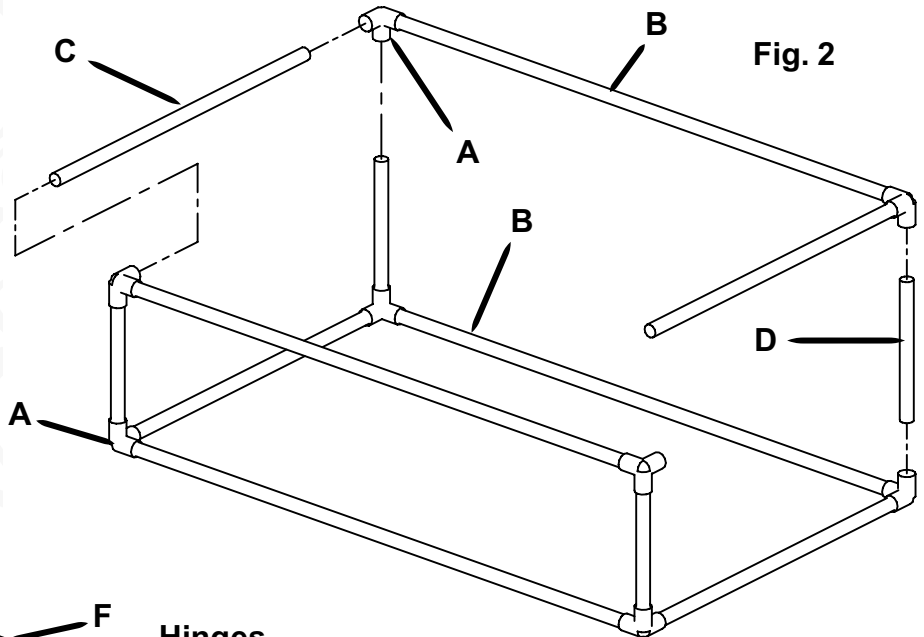


Fig. 2

Assemble Base Frame as shown in Fig. 2

Place Item E inside of assembled base frame and secure with Items F as shown in Fig. 3

Locate Hinges as shown below

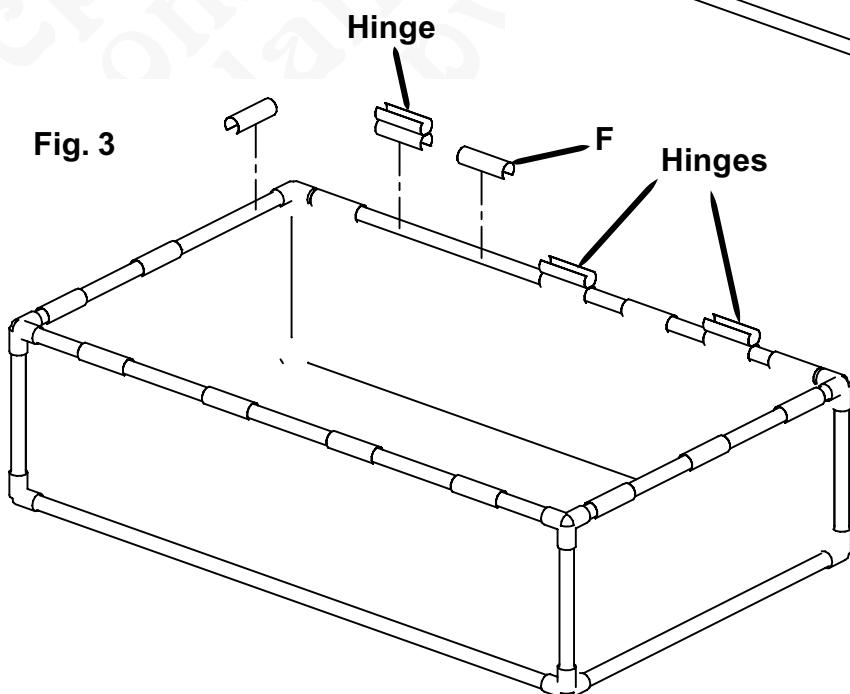


Fig. 3

Cold Frame

Assemble Top Frame
as shown in Fig.1

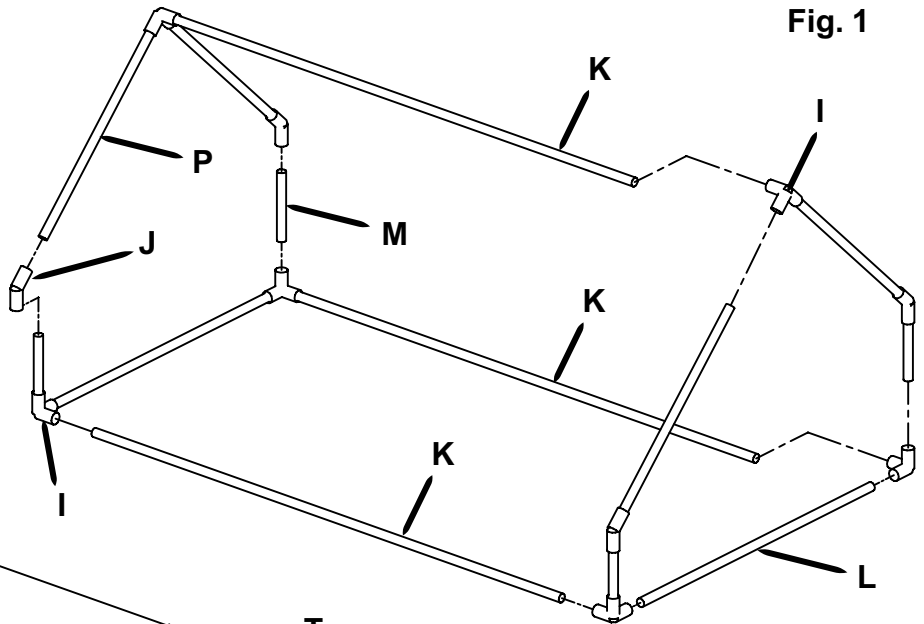
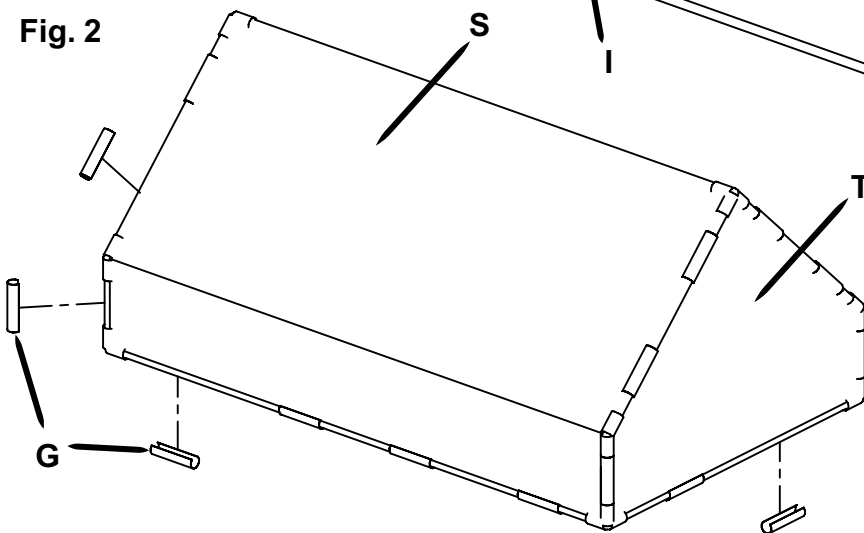


Fig. 1

Fig. 2



Attach Items "T" to both ends of
Top Frame and Item "S" over
Top surface using Items "G"
as shown in Fig.2

Attach Assembled Top to
Assembled Base with Hinges
as shown in Fig. 3

A Variety of materials may be
used to cover Top.

Cut slits in Top material as
needed to provide air and
temperature control.

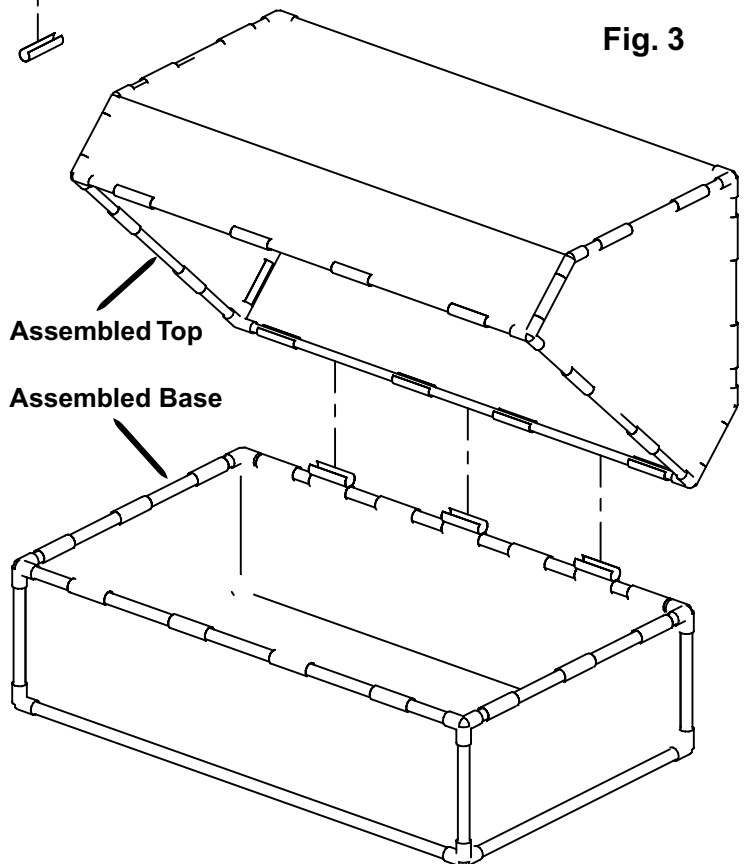


Fig. 3