



# COMMERCIAL GRADE™

## *4'x10' Frame Kit*

### Assembly Instructions



**We're Here To Help!**

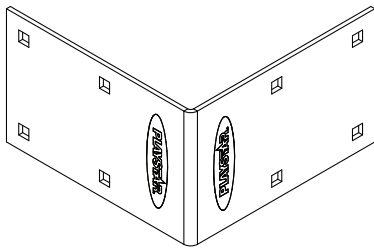
Call Toll Free **1-888-752-9782**  
Customer Service: Monday - Friday 8:00 a.m. to 5:00 p.m. C.S.T.

**PS 1005**

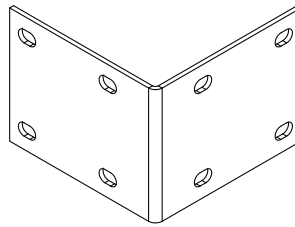
# TABLE OF CONTENTS - COMMERCIAL GRADE DOCK KIT

Dock Layout and Frame Assembly (Floating Only) .....	4
Attaching Pipe Sleeves .....	5
Attaching Hinges .....	6
Attaching Floats .....	7
Dock Layout and Frame Assembly (Roll-In or Stationary) .....	8
Attaching Pipe Sleeves .....	9
Attaching Clips .....	10
How To Adjust Dock Height .....	12
Wood Top Assembly .....	13
Resin Dock Top Assembly .....	14
Attaching Accessories .....	15

## COMMERCIAL GRADE DOCK KIT CONTENTS - PS 1005



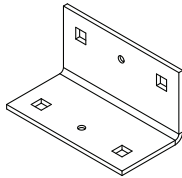
(4) Outside Corner Brackets



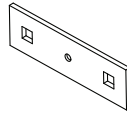
(4) Inside Corner Brackets



(4) Corner Gussets



(4) Joist Corner Brackets

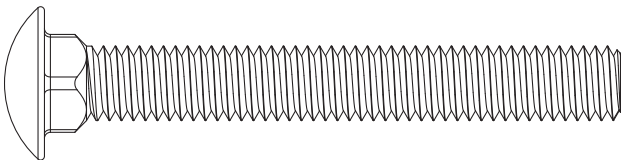


(8) Back Plates

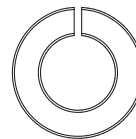


(2) Pipe Sleeves

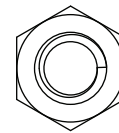
## COMMERCIAL GRADE DOCK KIT HARDWARE CONTENTS



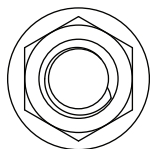
(52) 3/8" x 3" Carriage Bolts



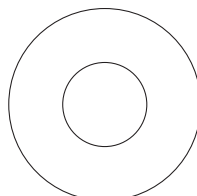
(52) 3/8" Lock Washers



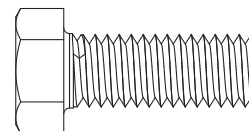
(52)  
3/8" Nuts



(4) 3/8" Flange Nuts



(52) 3/8" Washers



(4) 3/8" x 1"  
Hex Bolts

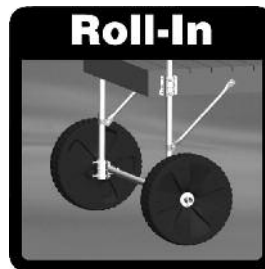
# BILL OF MATERIALS



- Support Components:**  
 (2) Foot Plates PS 1023  
 (1) Pipe Safety Caps PS 1193  
 (4) Connector Clips PS 1021  
 (2) Dock Pipes (1 $\frac{5}{8}$ " or 1 $\frac{7}{8}$ ")

- Lumber:**  
 (5) 2" x 6" x 10'  
 (2) 2" x 6" x 8'  
 (229) #8 x 2 $\frac{1}{2}$ " Deck Screws

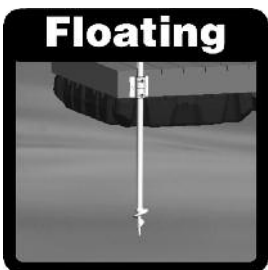
**Dock Top:**  
 \*(11) 5/4" x 6" x 8' Decking



- Support Components:**  
 (1) Dock Wheel Axle Kit PS 1198  
 (2) Wheels PS 1334  
 (1) Pipe Safety Caps PS 1193  
 (4) Connector Clips PS 1021  
 (3) Dock Pipes (1 $\frac{5}{8}$ " or 1 $\frac{7}{8}$ ")

- Lumber:**  
 (5) 2" x 6" x 10'  
 (2) 2" x 6" x 8'  
 (229) #8 x 2 $\frac{1}{2}$ " Deck Screws

**Dock Top:**  
 \*(11) 5/4" x 6" x 8' Decking



- Support Components:**  
 (3) Dock Floats PS 1155  
 (1) CG Pipe Sleeve PS 1080  
 (1) Auger PS 1100  
 (8) Back Plates PS 1017  
 (4) Joist Corner Brackets PS 1015  
 (1) Frame Hardware PS 1135  
 (1) Float Hardware PS 1145  
 (1) Pipe Safety Caps PS 1193  
 (2) Hinge Kits PS 1070  
 (1) Dock Pipes (1 $\frac{5}{8}$ " or 1 $\frac{7}{8}$ ")

- Dock Top:**  
 \*(11) 5/4" x 6" x 8' Decking
- Lumber:**  
 (5) 2" x 6" x 10'  
 (5) 2" x 6" x 8'  
 (229) #8 x 2 $\frac{1}{2}$ " Deck Screws

**NOTE:** \*(11) 5/4" x 6" x 8' Decking can be Substituted for Resin Dock Top

## TOOLS REQUIRED

- Safety Glasses
- Measuring Tape
- Pencil
- Hammer
- Saw
- "C" Clamp
- Drill
- 1/8", 1/4" and 3/8" Drill Bits
- Carpenter's Square
- 3/8", 9/16" Socket and Ratchet

## CUTTING GUIDE

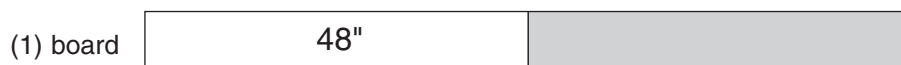
**2" x 6" x 10' – five (5) boards required**



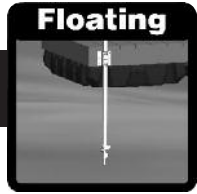
**2" x 6" x 8' – two (2) boards required**



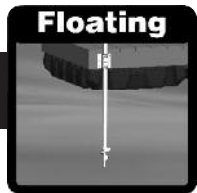
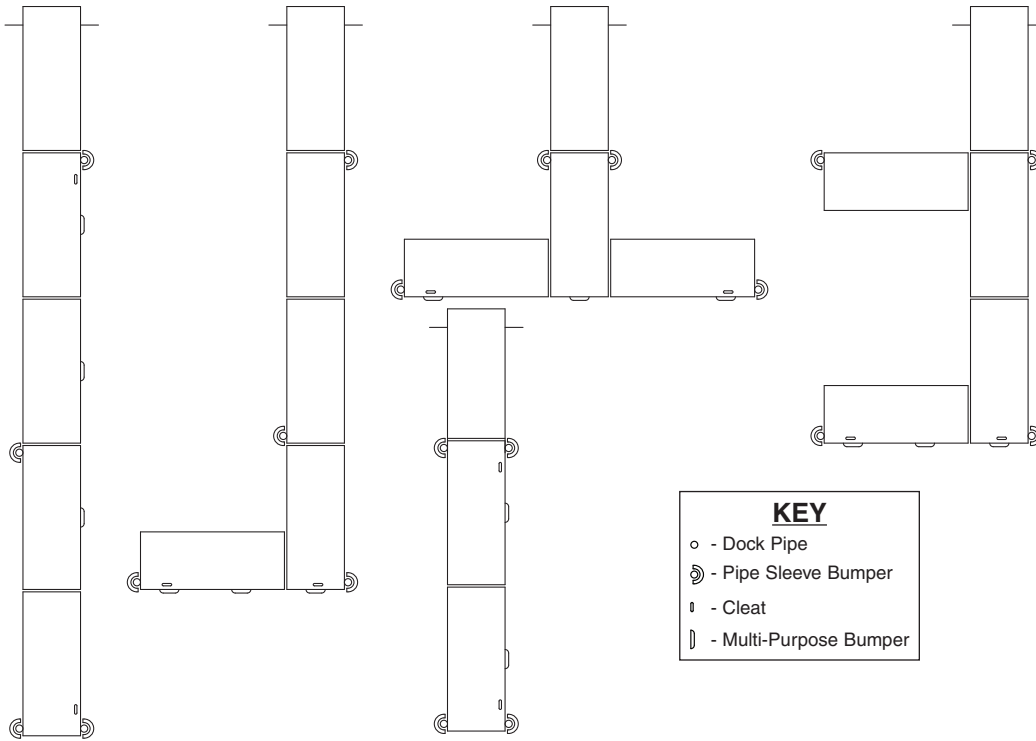
**5/4" x 6" x 8' – eleven (11) boards required when attaching a Wood Top**



# READ ALL INSTRUCTIONS THOROUGHLY BEFORE YOU BEGIN CONSTRUCTION. FLOATING DOCK PROJECT STARTS HERE.



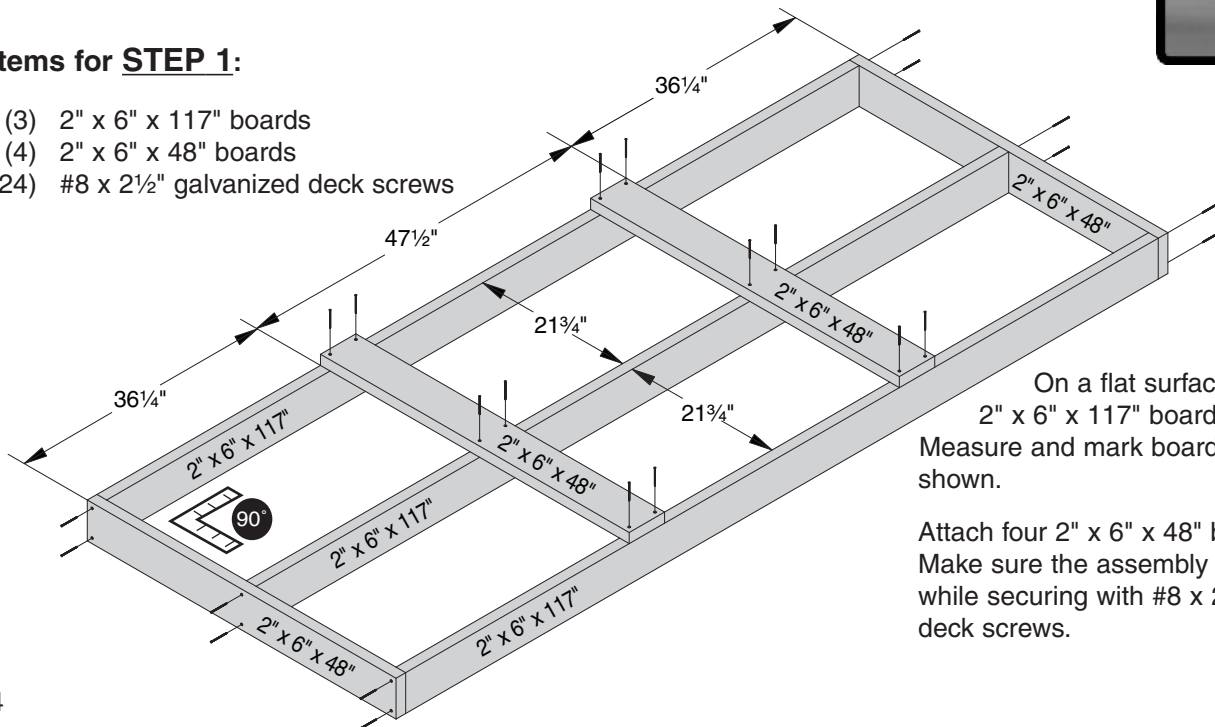
## DOCK LAYOUT EXAMPLES



## FRAME ASSEMBLY

### Items for STEP 1:

- (3) 2" x 6" x 117" boards
- (4) 2" x 6" x 48" boards
- (24) #8 x 2½" galvanized deck screws



On a flat surface, lay out three 2" x 6" x 117" boards 21¾" apart. Measure and mark boards at dimensions shown.

Attach four 2" x 6" x 48" boards as shown. Make sure the assembly remains square while securing with #8 x 2½" galvanized deck screws.

## Items for **STEP 2:**

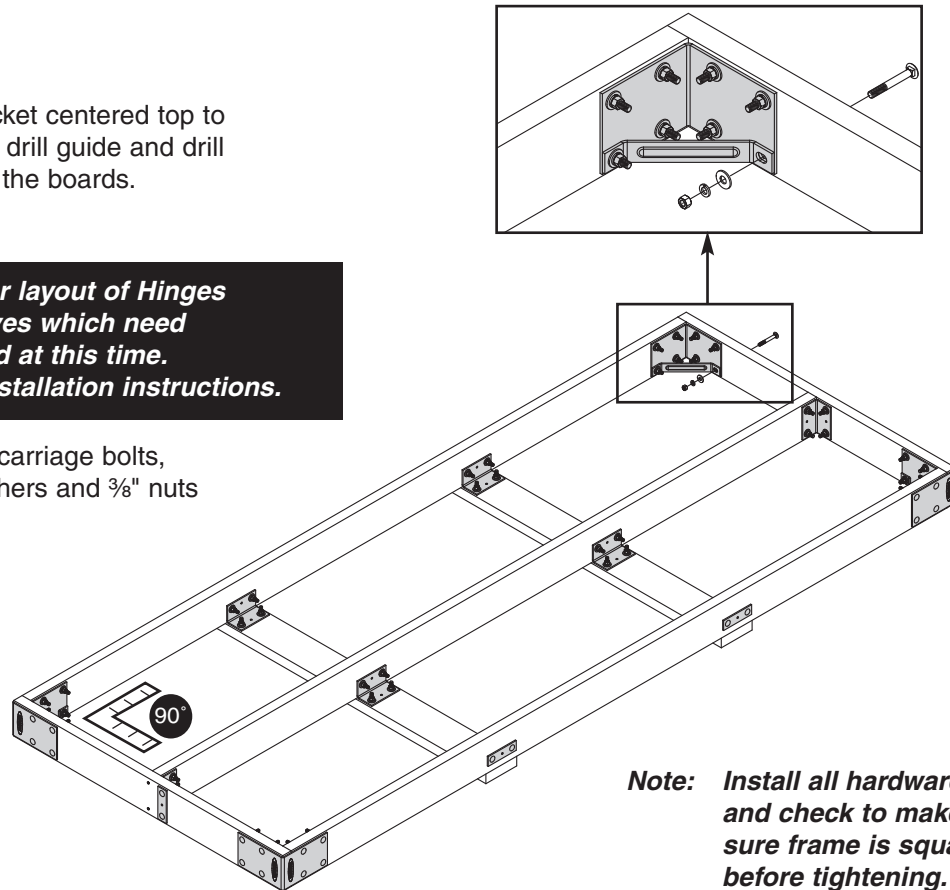
- |                             |  |
|-----------------------------|--|
| (4) Outside Corner Brackets | (64) $\frac{3}{8}$ " x 3" Carriage Bolts |
| (4) Inside Corner Brackets  | (64) $\frac{3}{8}$ " Flat Washers        |
| (4) Corner Gussets          | (64) $\frac{3}{8}$ " Lock Washers        |
| (8) Joist Corner Brackets   | (64) $\frac{3}{8}$ " Nuts                |
| (16) Back Plates            |  |

Position Outside Corner Bracket centered top to bottom. Use the bracket as a drill guide and drill  $\frac{3}{8}$ " holes completely through the boards.

**Repeat for all the brackets.**

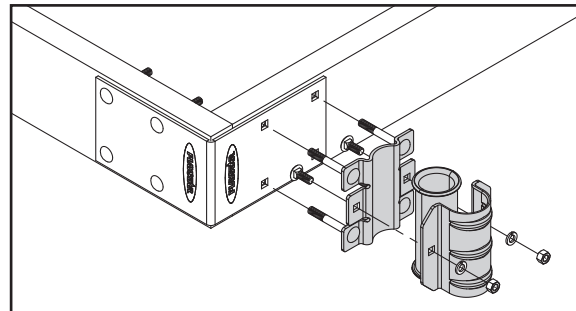
**Refer to page 4 for layout of Hinges and Pipe Sleeves which need to be installed at this time.  
See pages 5 & 6 for installation instructions.**

Attach brackets with  $\frac{3}{8}$ " x 3" carriage bolts,  $\frac{3}{8}$ " flat washers,  $\frac{3}{8}$ " lock washers and  $\frac{3}{8}$ " nuts as shown.



## **COMMERCIAL GRADE PIPE SLEEVE PS 1080 (Floating Only)**

Attach the Pipe Sleeve to the Framing Kits as shown when assembling the corner hardware.



**Refer to your specific project for locations.**

# ATTACHING HINGES

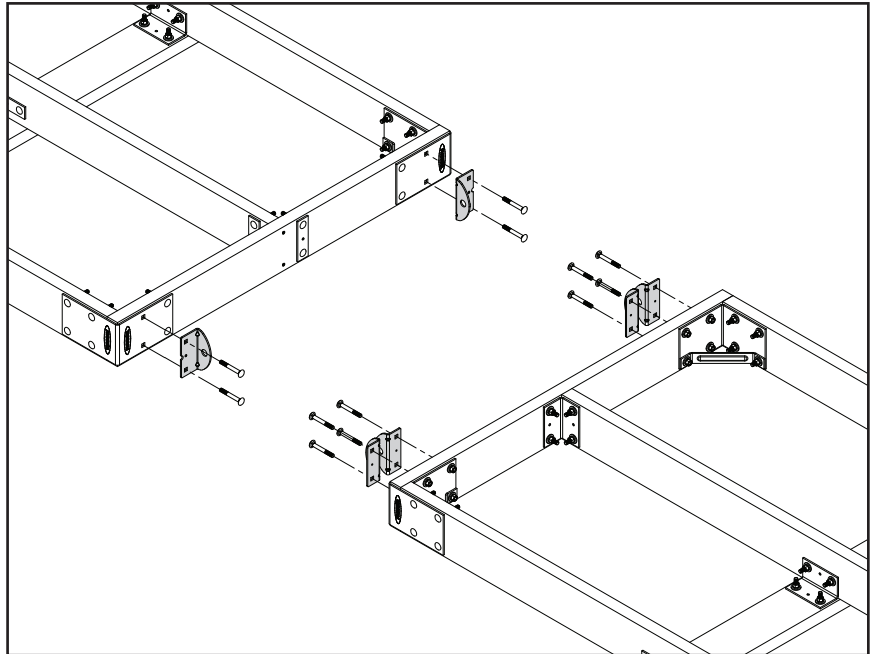
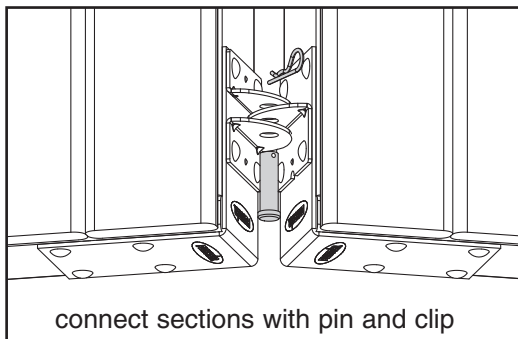
## STRAIGHT CONNECTION

Attach the Hinges to the Frame Kits as you assemble the corner hardware.

Position a long Hinge (with notch) in each corner of one 4' side of the dock section as shown.

Position short Hinges (no notch) in each corner of one 4' side of the next dock section to be attached

*Refer to your specific project for locations.*



**Note:** The short Hinge (no notch) half should be attached to the end of dock sections furthest from shore.

## 90° CONNECTION

Attach the Hinges to the Frame Kits as you assemble the corner hardware.

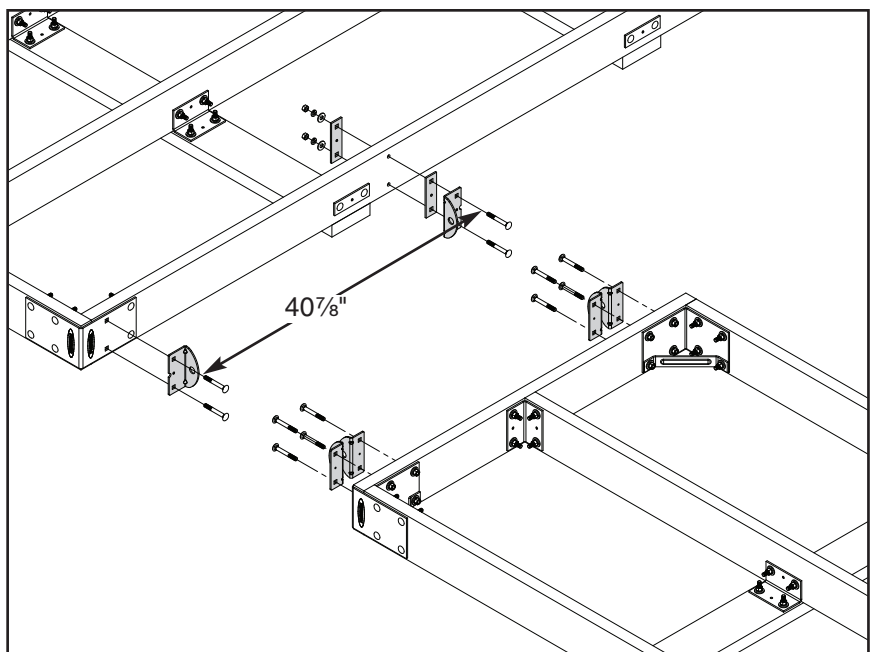
Position a long Hinge (with notch) in corner of one 10' side of the dock section.

Position second long Hinge (with notch) so that the center distance between the mounting holes is 40<sup>7</sup>/<sub>8</sub>" as shown.

Use the long Hinge (with notch) as a drill guide and drill <sup>3</sup>/<sub>8</sub>" holes completely through the board.

Use a Back Plate for reinforcement on both sides of the frame as shown.

*Refer to your specific project for locations.*

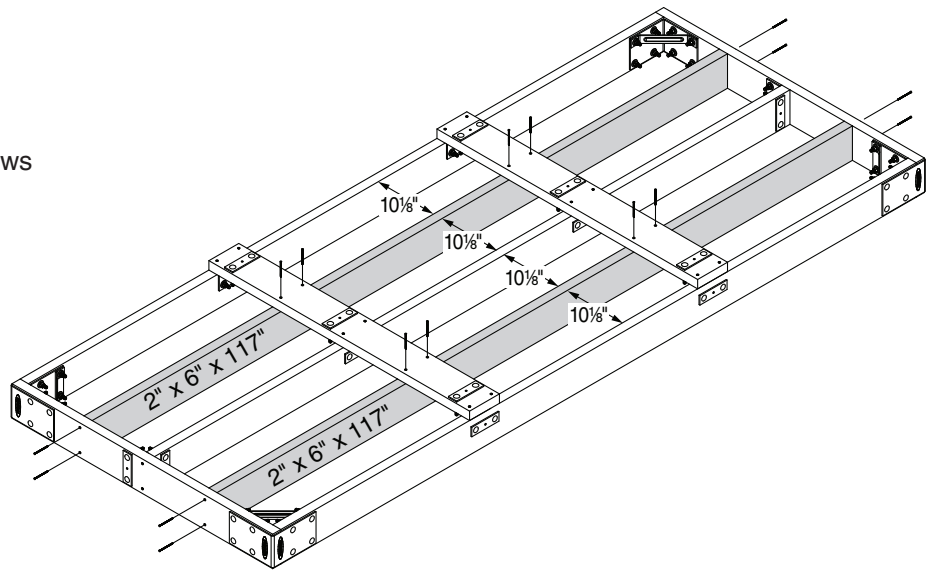


**Items for STEP 3:**

- (2) 2" x 6" x 117" boards
- (16) #8 x 2½" galvanized deck screws

Position 2" x 6" x 117" boards at dimensions shown.

Secure with #8 x 2½" galvanized deck screws as shown.



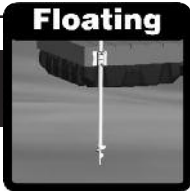
*Turn to page 13 if you are attaching a wood top.  
Turn to page 14 if you are attaching the Resin Dock Top (PS 1320).*

# ATTACHING FLOATS

**Items for this STEP:**

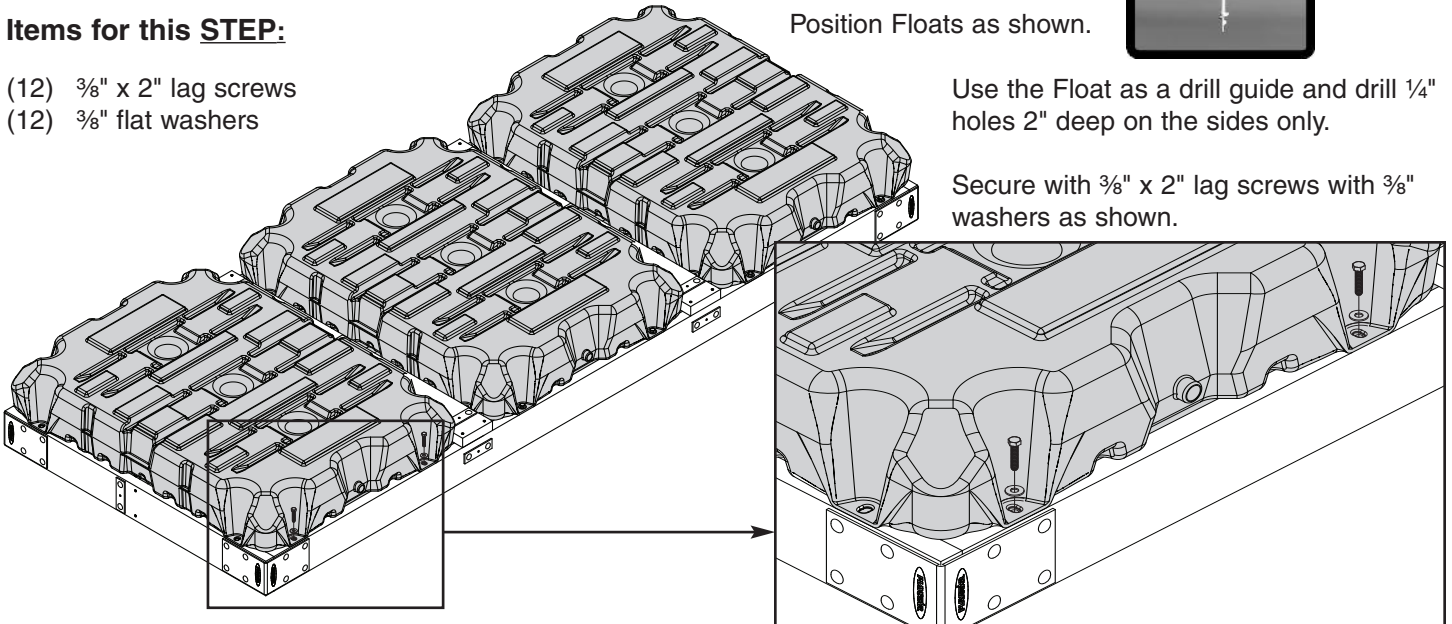
- (12) ¾" x 2" lag screws
- (12) ¾" flat washers

Position Floats as shown.



Use the Float as a drill guide and drill ¼" holes 2" deep on the sides only.

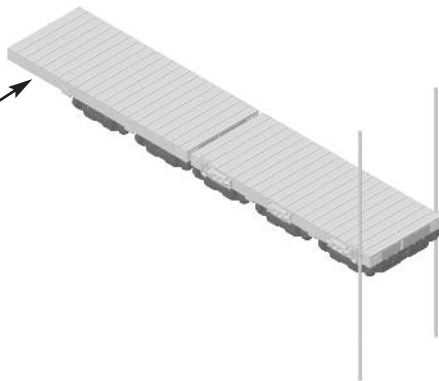
Secure with ¾" x 2" lag screws with ¾" washers as shown.



**Do not attach a float to the gang-plank section closest to shore as shown.**

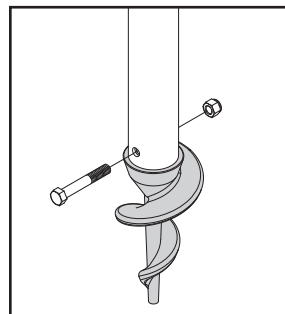
**The end without the float must rest firmly on land.**

**Refer to your specific project for locations.**



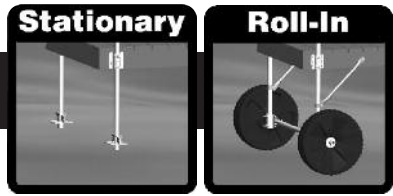
## COMMERCIAL GRADE AUGER PS 1100

### (Floating Only)

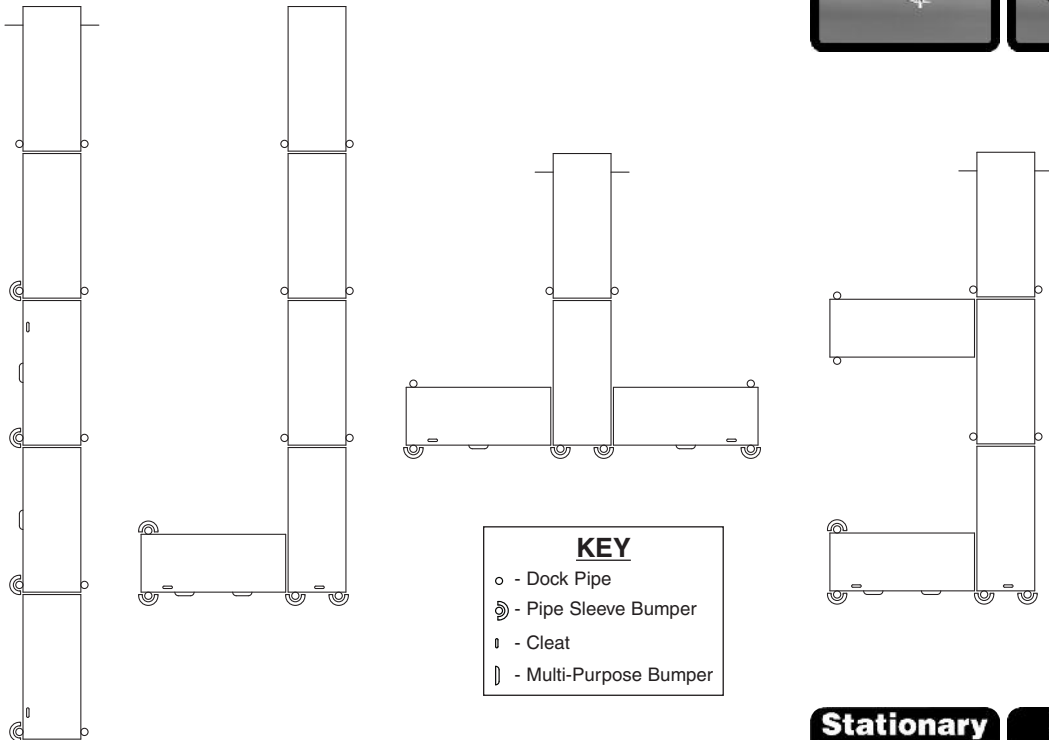


Drill one ¾" hole in pipe 1½" up from the end. Insert Auger into the pipe, align holes and finish drilling opposite side. Secure with the nut and bolt provided.

# READ ALL INSTRUCTIONS THOROUGHLY BEFORE YOU BEGIN CONSTRUCTION. STATIONARY OR ROLL-IN DOCK PROJECT STARTS HERE.

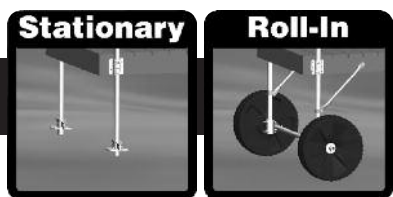


## DOCK LAYOUT EXAMPLES



**KEY**

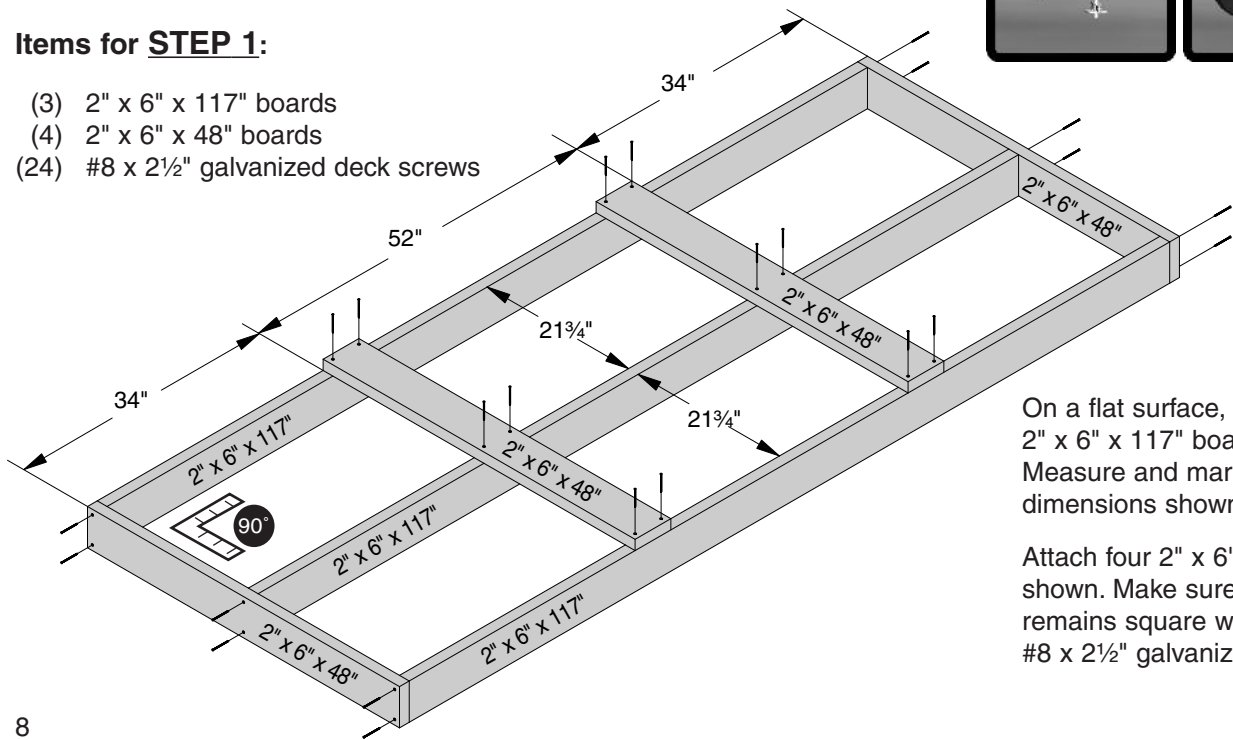
- - Dock Pipe
- ⊕ - Pipe Sleeve Bumper
- ⌄ - Cleat
- ⌈⌋ - Multi-Purpose Bumper



## FRAME ASSEMBLY

### Items for STEP 1:

- (3) 2" x 6" x 117" boards
- (4) 2" x 6" x 48" boards
- (24) #8 x 2½" galvanized deck screws



On a flat surface, lay out three 2" x 6" x 117" boards 21¾" apart. Measure and mark boards at dimensions shown.

Attach four 2" x 6" x 48" boards as shown. Make sure the assembly remains square while securing with #8 x 2½" galvanized deck screws.



**Items for STEP 2:**

- |                             |                               |
|-----------------------------|-------------------------------|
| (4) Outside Corner Brackets | (48) 3/8" x 3" Carriage Bolts |
| (4) Inside Corner Brackets  | (48) 3/8" Flat Washers        |
| (4) Corner Gussets          | (48) 3/8" Lock Washers        |
| (4) Joist Corner Brackets   | (48) 3/8" Nuts                |
| (8) Back Plates             |                               |

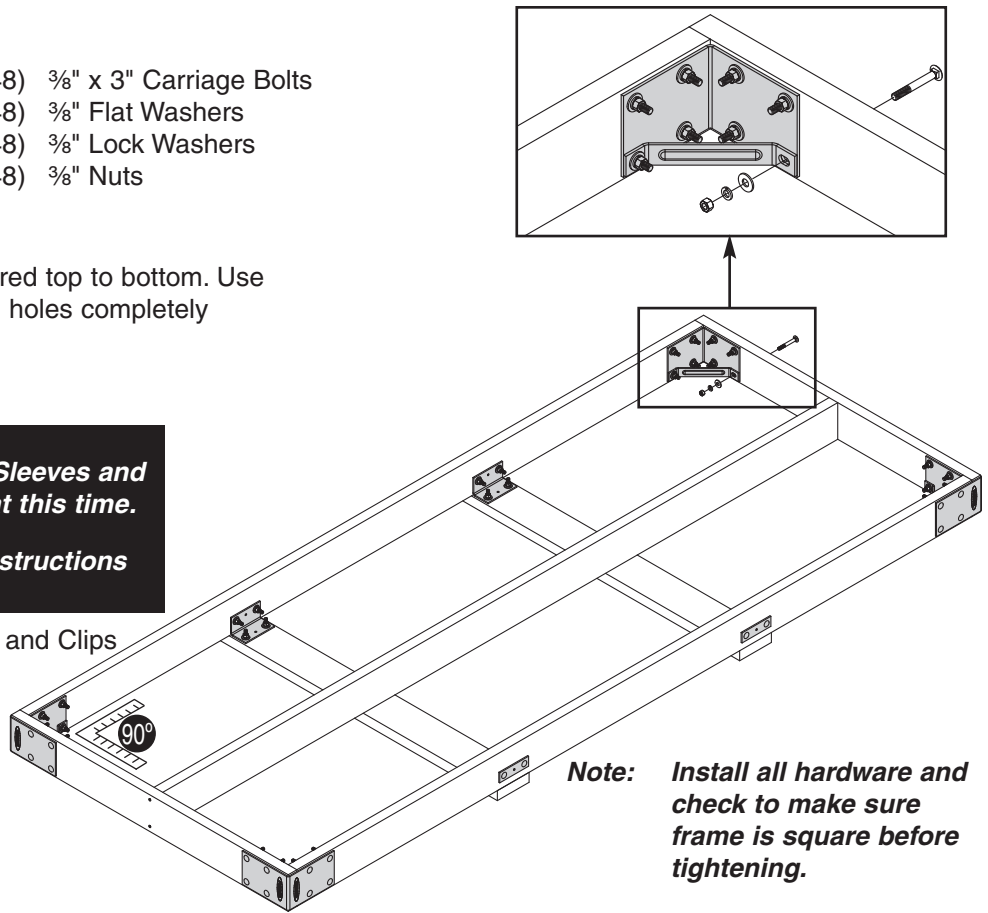
Position Outside Corner Bracket centered top to bottom. Use the bracket as a drill guide and drill 3/8" holes completely through the boards.

**Repeat for all the brackets.**

*Refer to page 8 for layout of Pipe Sleeves and Clips which need to be installed at this time.*

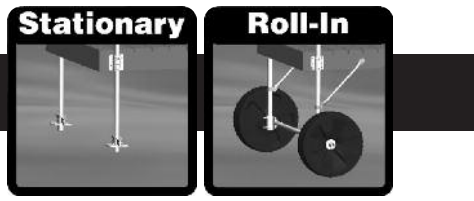
*See pages 9-11 for installation instructions*

Attach Brackets and any Pipe Sleeves and Clips with 3/8" x 3" carriage bolts, 3/8" flat washers, 3/8" lock washers and 3/8" nuts as shown.

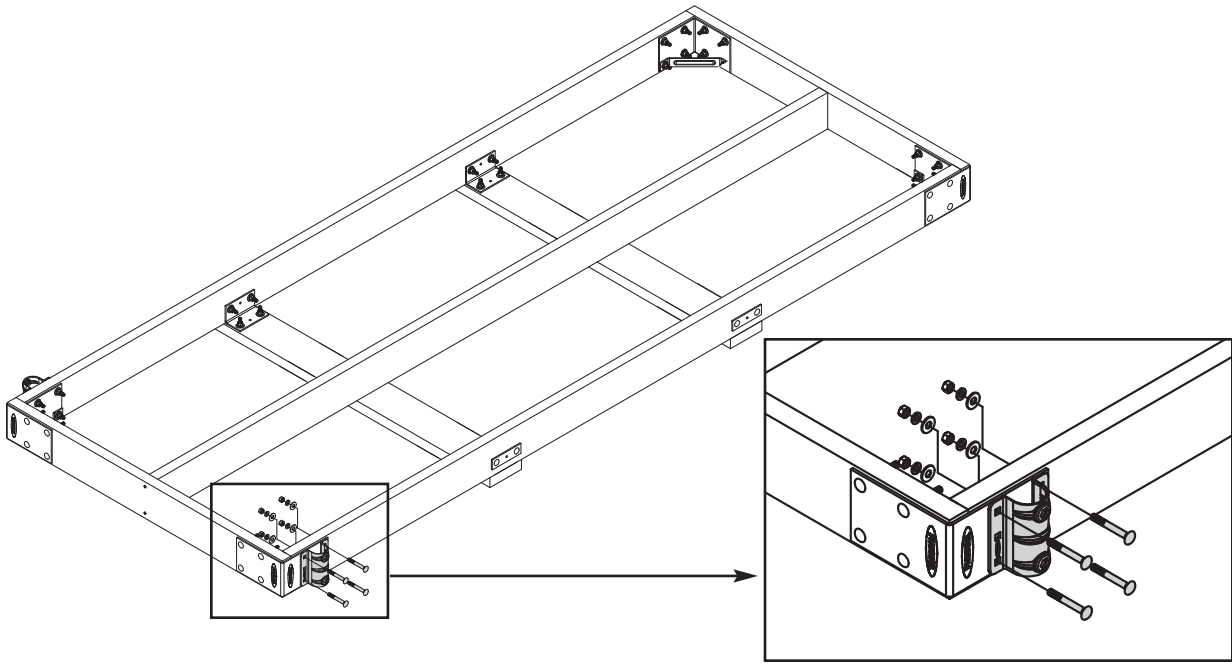


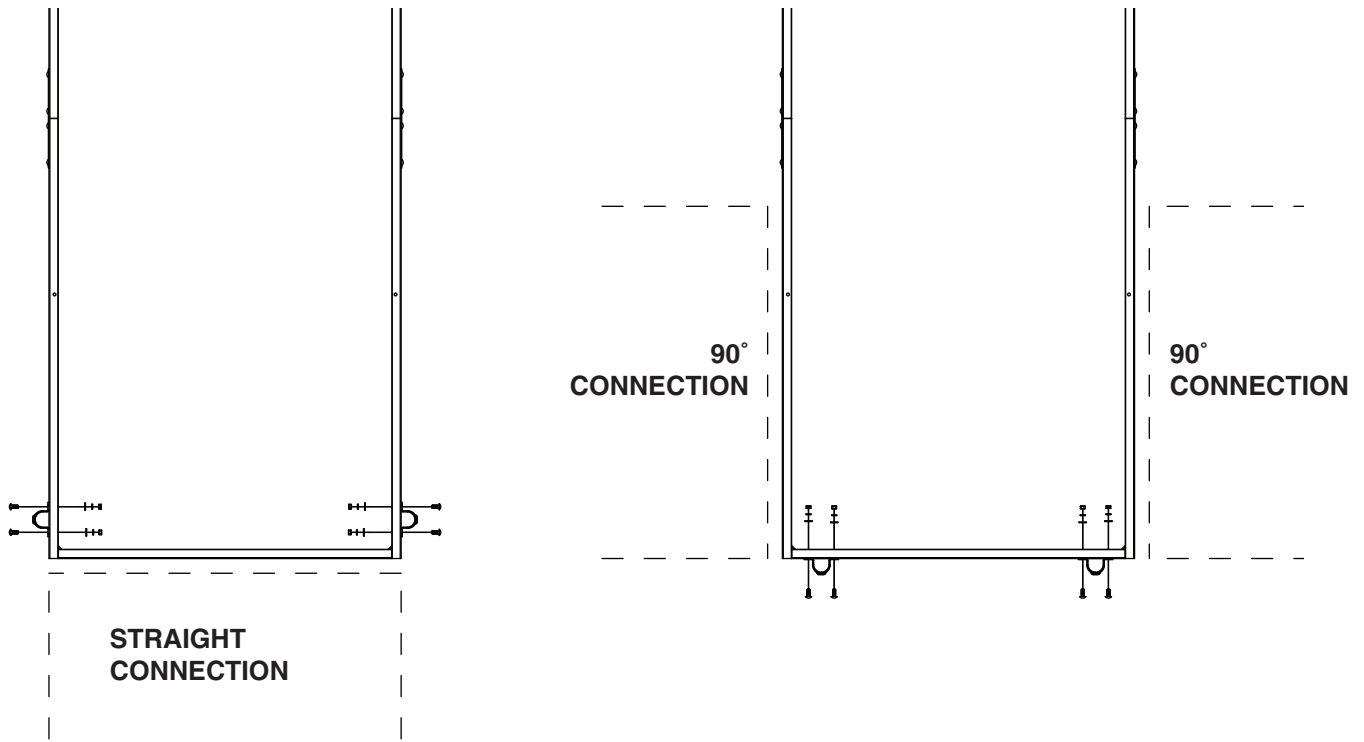
**Note:** *Install all hardware and check to make sure frame is square before tightening.*

# ATTACHING PIPE SLEEVES



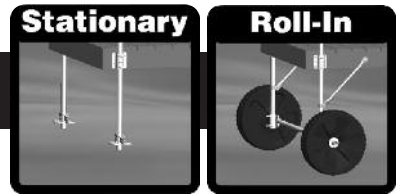
Attach the Pipe Sleeves to the frame as you assemble the corner hardware as shown. Secure with 3/8" x 3" carriage bolts, 3/8" flat washers, 3/8" lock washers and 3/8" nuts.





**NOTE:**

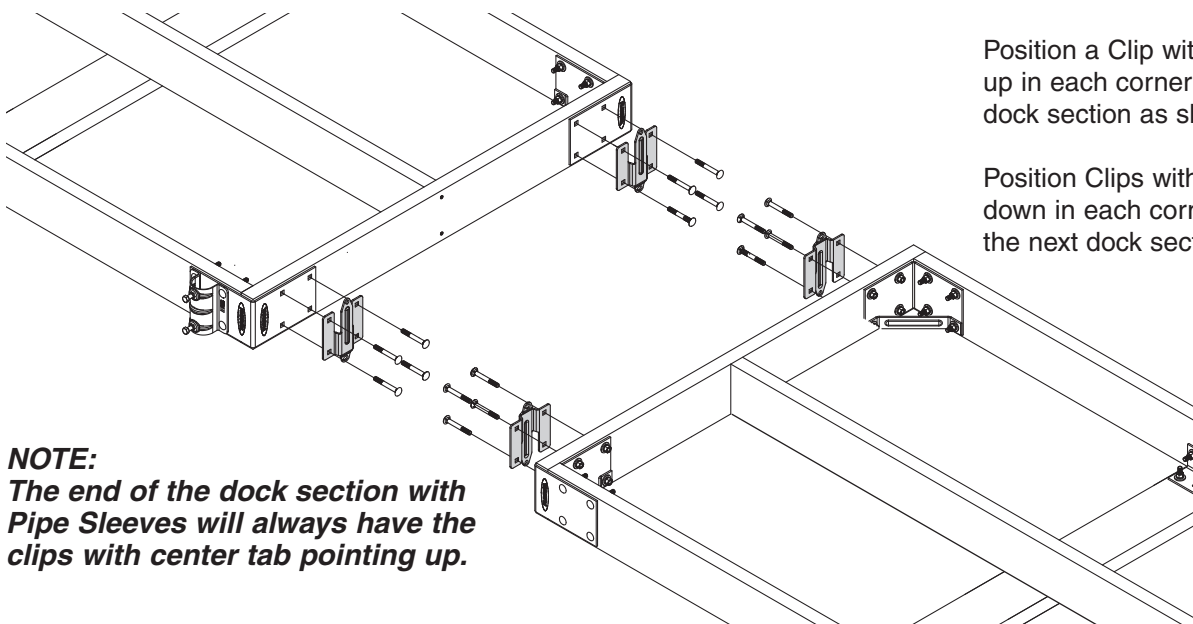
*The Pipe Sleeves should be attached to the 10' side of the dock for a straight connection.  
The Pipe Sleeves should be attached to the 4' side of the dock for a right-angle connection.*



# ATTACHING CLIPS

**STRAIGHT CONNECTION**

*Refer to your specific project for locations.*



**NOTE:**

*The end of the dock section with Pipe Sleeves will always have the clips with center tab pointing up.*

Attach the Clips to the frame as you assemble the corner hardware.

Position a Clip with center tab pointing up in each corner of one 4' side of the dock section as shown.

Position Clips with center tab pointing down in each corner of one 4' side of the next dock section to be attached.

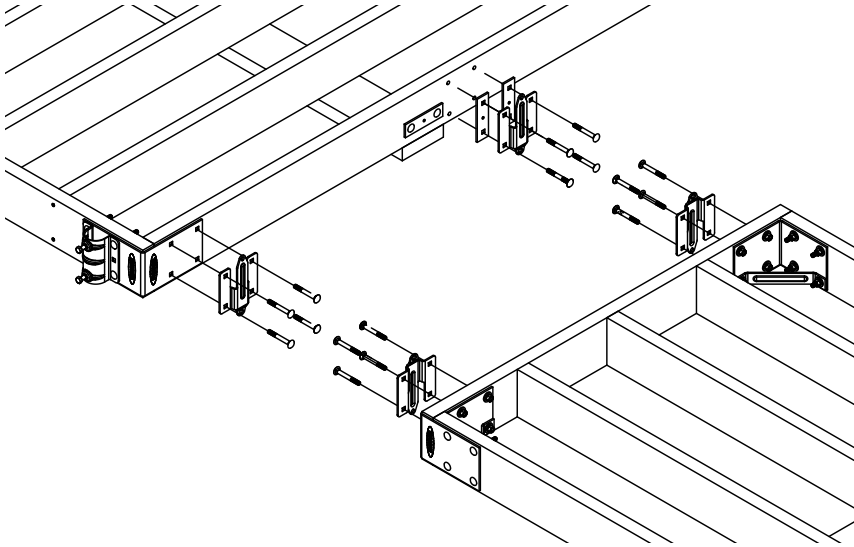
## 90° CONNECTION

**Refer to your specific project for locations.**

Attach the Clips to the frame as you assemble the corner hardware.

Position a Clip with center tab pointing up in corner of one 10' side of the dock section as shown.

Position second Clip with center tab pointing up so that the center distance between the outside mounting holes is  $40\frac{7}{8}$ " as shown.



Using the Clip as a drill guide, mark the 4 holes and drill  $\frac{3}{8}$ " holes completely through the board.

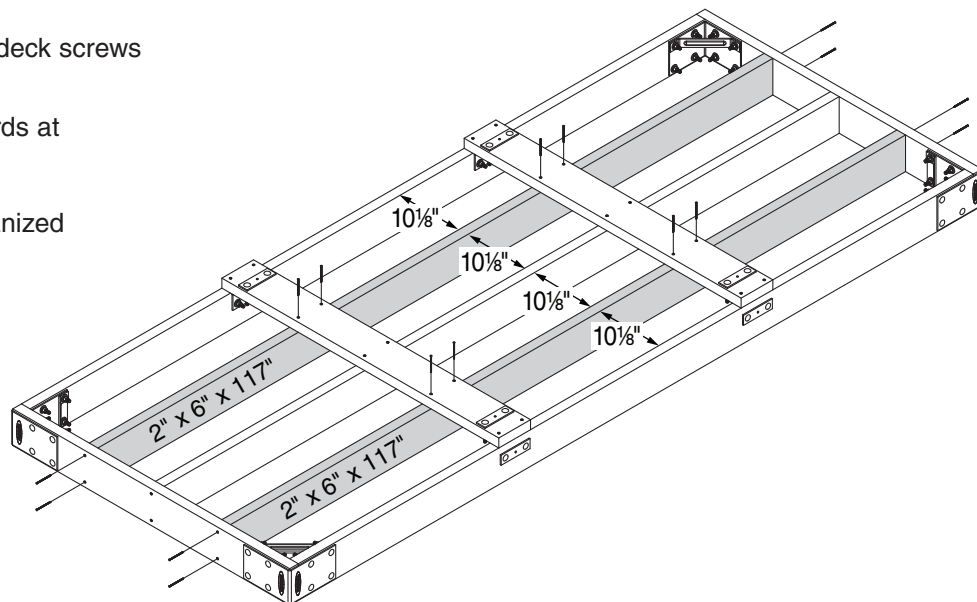
Attach with  $\frac{3}{8}$ " x 3" carriage bolts,  $\frac{3}{8}$ " flat washers,  $\frac{3}{8}$ " lock washers and nuts.

### Items for **STEP 3:**

- (2) 2" x 6" x 117" boards
- (16) #8 x 2½" galvanized deck screws

Position 2" x 6" x 117" boards at dimensions shown.

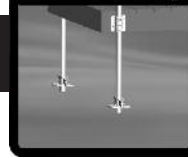
Secure with #8 x 2½" galvanized deck screws as shown.



**Turn to page 13 if you are attaching a Wood Top.  
Turn to page 14 if you are attaching the Resin Dock Top (PS 1320).**

# HOW TO ADJUST DOCK HEIGHT

Stationary



Roll-In

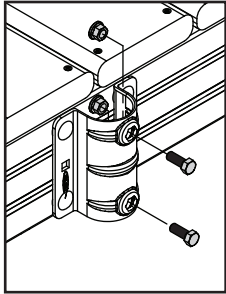
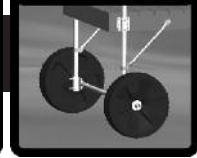


Figure 1

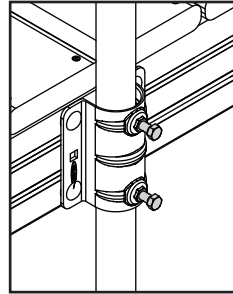


Figure 2

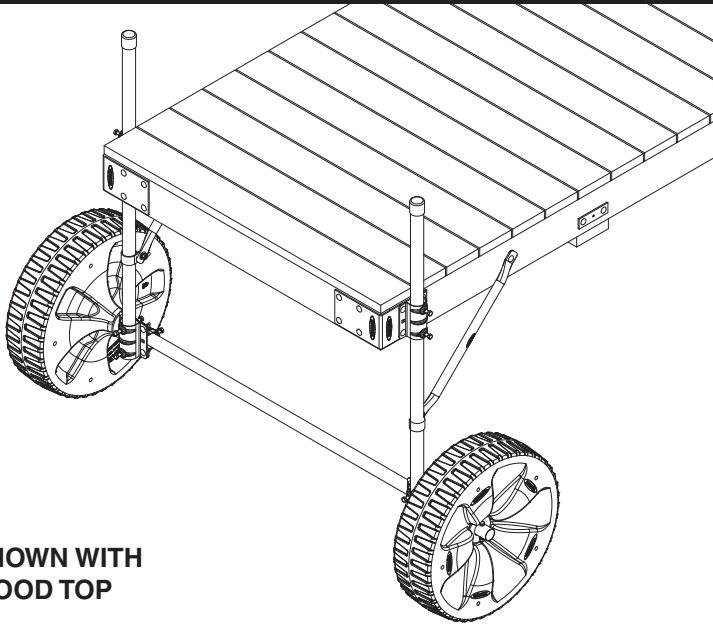
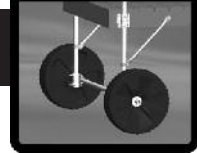
Position two  $\frac{3}{8}$ " flange nuts into Pipe Sleeve as shown. (Figure 1)

Insert dock pipe into Pipe Sleeves at desired height.

Tighten pipe with  $\frac{3}{8}$ " x 1" hex bolt and  $\frac{3}{8}$ " flange nut as shown. (Figure 2)

## ROLL-IN OPTION

Roll-In



SHOWN WITH  
WOOD TOP

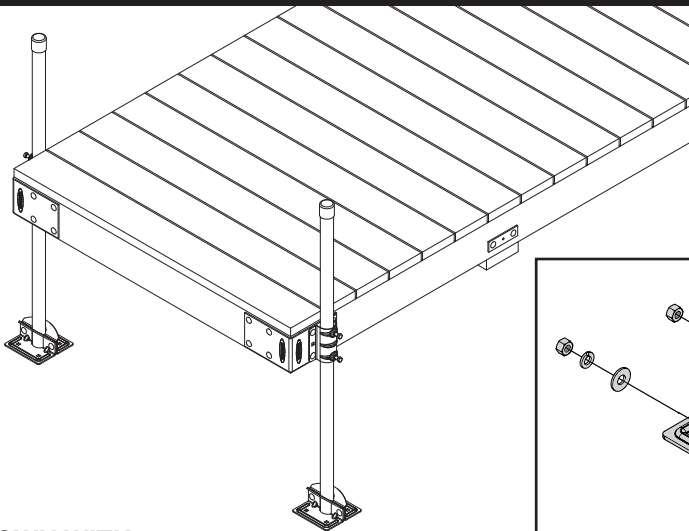
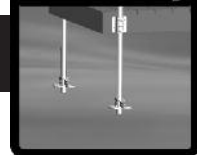
**Purchase Separately:**

- (2) PS 1198 Dock Wheel Axle Kit
- (2) PS 1334 Dock Wheels
- (3) Dock Pipe ( $1\frac{5}{8}$ " or  $1\frac{7}{8}$ ")

Follow the complete assembly instructions included in your PS 1198 Dock Wheel Axle Kit.

## STATIONARY OPTION

Stationary

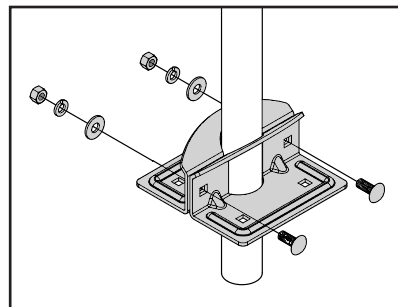


SHOWN WITH  
WOOD TOP

**Purchase Separately:**

- (2) PS 1023 Commercial Grade Foot Plate
- (2) Dock Pipe ( $1\frac{5}{8}$ " or  $1\frac{7}{8}$ ")

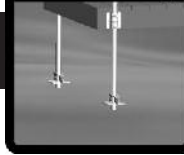
Attach Foot Plate to dock pipe as shown.



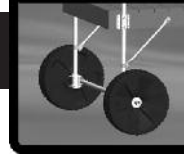
*Note: Dock pipe longer than 8 feet may require additional cross bracing.*

# WOOD TOP ASSEMBLY

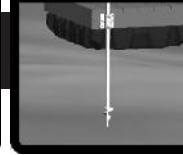
Stationary



Roll-In



Floating

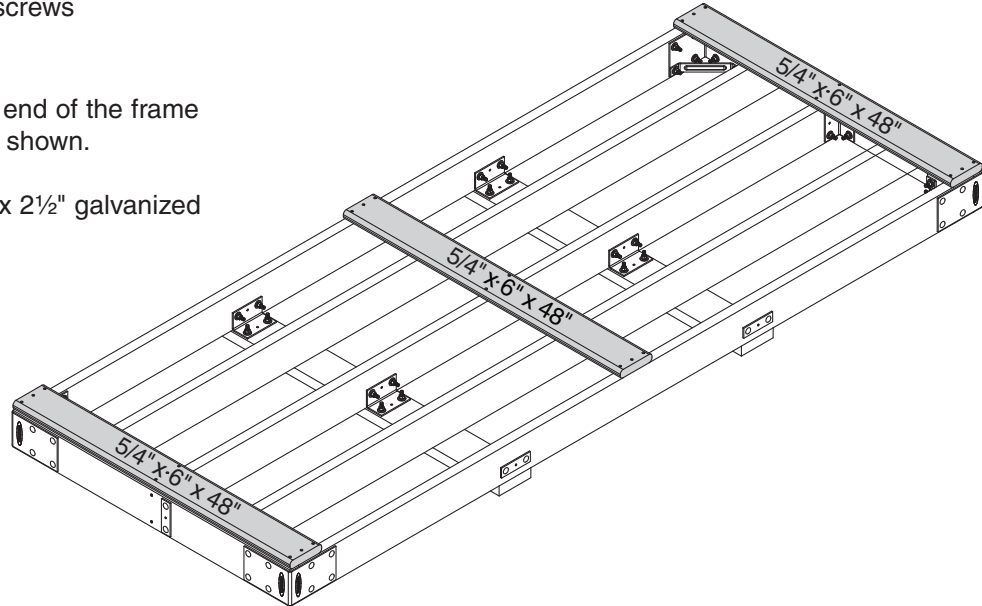


## Items for this step:

- (3) 5/4" x 6" x 48" boards
- (27) #8 x 2½" galvanized deck screws

Position one board flush at each end of the frame and one directly in the middle as shown.

Secure each board with nine #8 x 2½" galvanized deck screws.



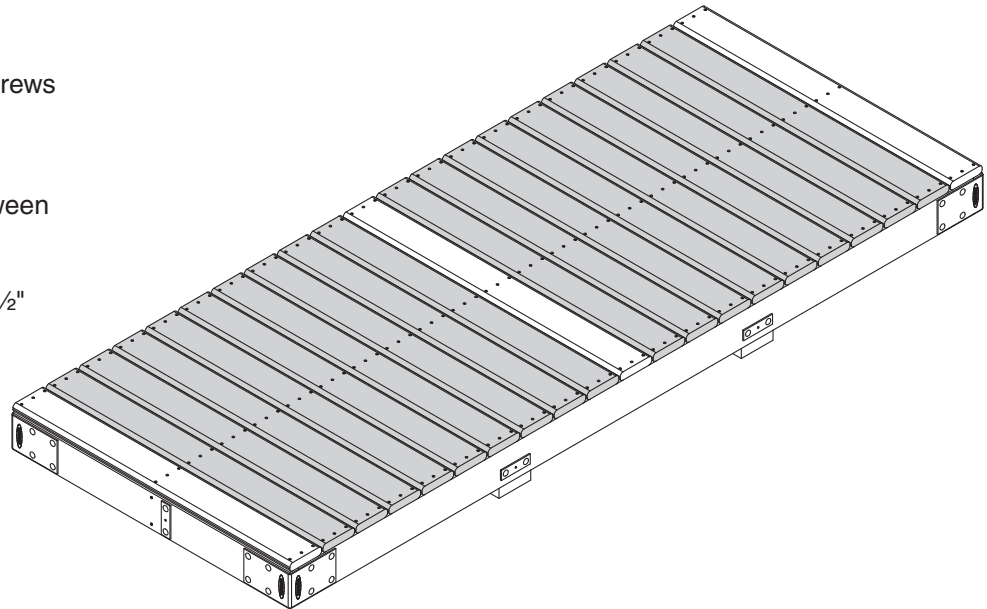
SHOWN WITH  
FLOATING FRAME

## Items for this step:

- (18) 5/4" x 6" x 48" boards
- (162) #8 x 2½" galvanized deck screws

Position boards equally spaced between existing boards.

Secure each board with nine #8 x 2½" galvanized deck screws.

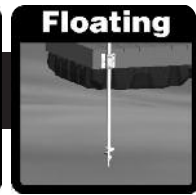
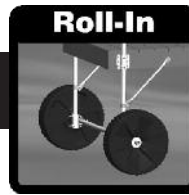
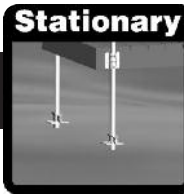


SHOWN WITH  
FLOATING FRAME



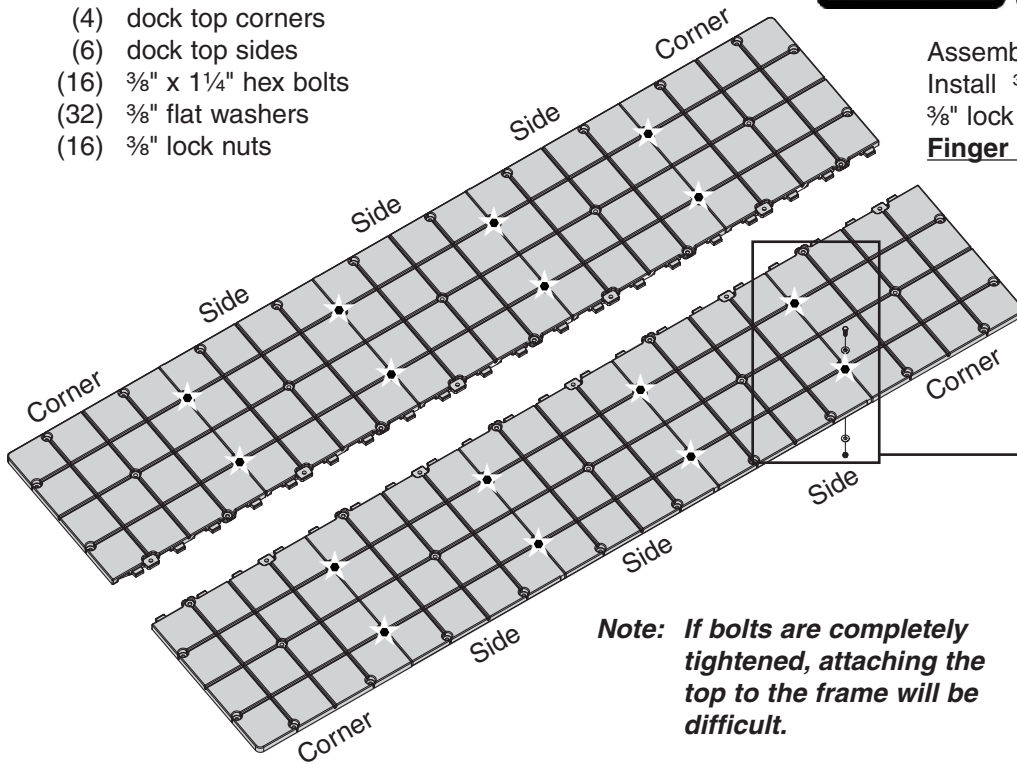
**Turn to page 7 if you are building a Floating Dock.  
Turn to page 12 if you are building a Roll In or Stationary Dock.**

# RESIN DOCK TOP ASSEMBLY

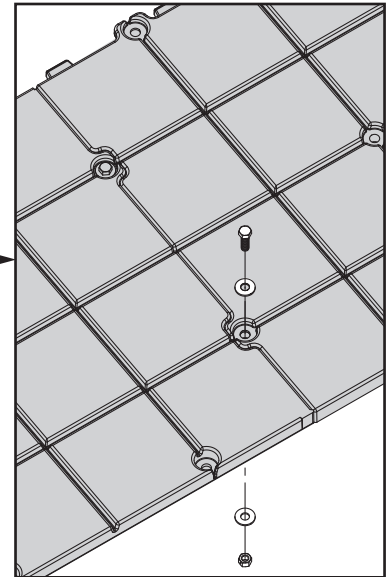


Items for this step: (included in PS 1320 RESIN DOCK TOP)

- (4) dock top corners
- (6) dock top sides
- (16)  $\frac{3}{8}$ " x  $1\frac{1}{4}$ " hex bolts
- (32)  $\frac{3}{8}$ " flat washers
- (16)  $\frac{3}{8}$ " lock nuts



Assemble the tops into two halves as shown. Install  $\frac{3}{8}$ " x  $1\frac{1}{4}$ " hex bolts,  $\frac{3}{8}$ " washers and  $\frac{3}{8}$ " lock nuts at each starred location. **Finger tighten only.**

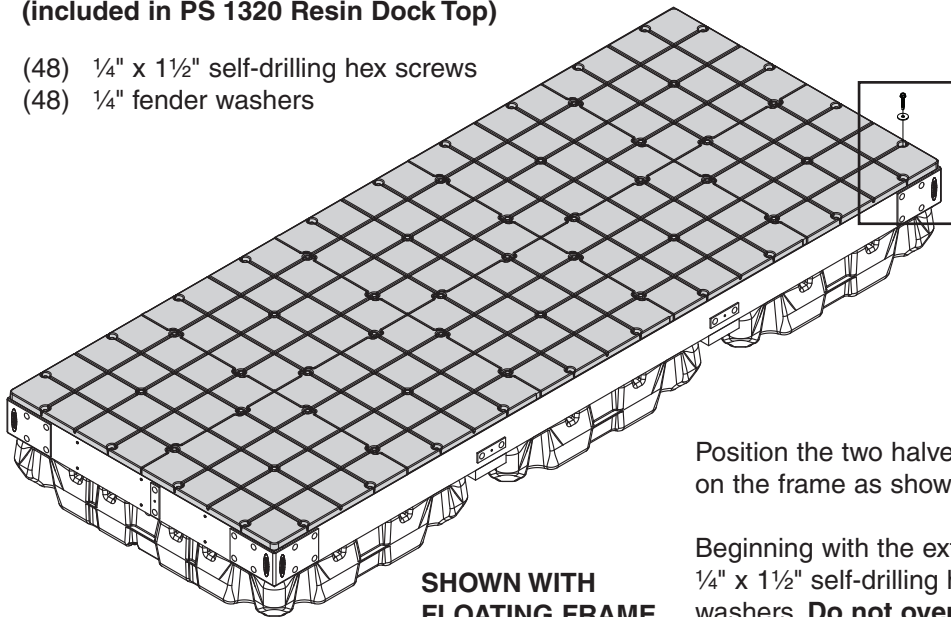


**Note:** If bolts are completely tightened, attaching the top to the frame will be difficult.

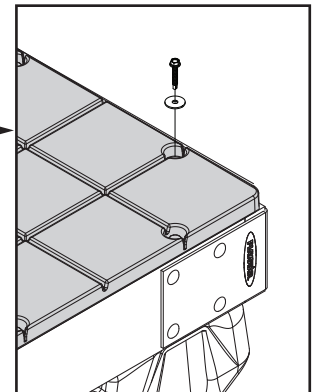
Items for this step:

(included in PS 1320 Resin Dock Top)

- (48)  $\frac{1}{4}$ " x  $1\frac{1}{2}$ " self-drilling hex screws
- (48)  $\frac{1}{4}$ " fender washers



**SHOWN WITH  
FLOATING FRAME**



Position the two halves together and centered on the frame as shown.

Beginning with the exterior holes, secure with  $\frac{1}{4}$ " x  $1\frac{1}{2}$ " self-drilling hex screws and fender washers. **Do not overtighten.**

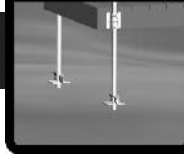


**Turn to page 7 if you are building a Floating Dock.  
Turn to page 12 if you are building a Roll In or Stationary Dock.**

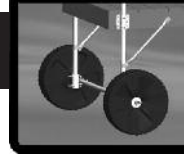
# ATTACHING ACCESSORIES

(PURCHASE SEPARATELY)

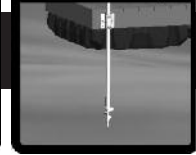
Stationary



Roll-In



Floating

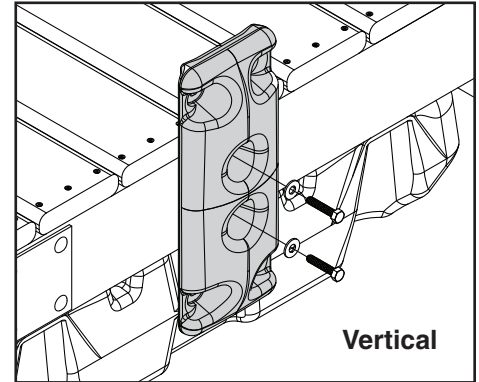
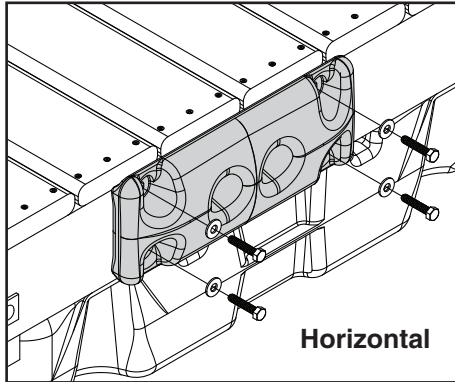


## MULTI-PURPOSE BUMPER PS 1352

(hardware not provided)

Position Bumper in desired location. Use Bumper as a drill guide and drill  $\frac{1}{4}$ " holes 2" deep. Secure with  $\frac{3}{8}$ " x 2" lag screws with  $\frac{3}{8}$ " washers as shown.

*Refer to your specific project for locations.*



## PLAYSTAR RESIN DOCK LADDER PS 1605

(HARDWARE PROVIDED)



Safe, easy way to climb onto your dock from the water.

Adjustable to 36" or 47" length.

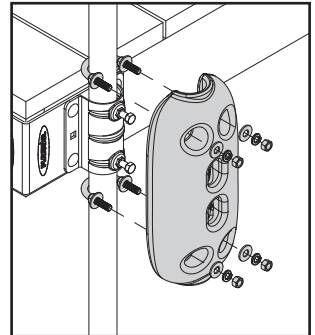
Instructions packaged with ladder.

## PIPE SLEEVE BUMPER PS 1188

(hardware provided)

Install two  $\frac{3}{8}$ " nuts and  $\frac{3}{8}$ " flat washers on each U-bolt as shown. Attach the Pipe Sleeve Bumper to the U-bolts around the Pipe Sleeve. Secure with  $\frac{3}{8}$ " flat washers,  $\frac{3}{8}$ " lock washers and  $\frac{3}{8}$ " nuts.

*Refer to your specific project for locations.*

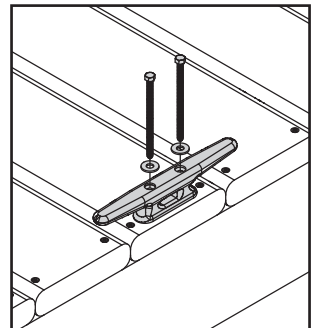


## RESIN DOCK CLEAT 8" PS 1191

(Purchase hardware separately)

Position Cleat in desired position. Use Cleat as a drill guide and drill two  $\frac{1}{8}$ " holes. Secure with  $\frac{1}{4}$ " x 4" lag screws and  $\frac{3}{8}$ " flat washers.

*Refer to your specific project for locations.*

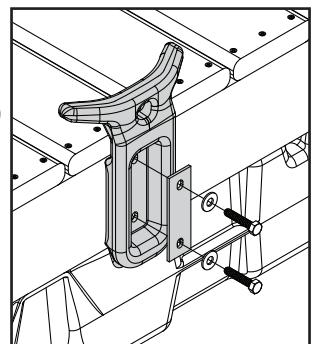


## PREMIUM DOCK CLEAT PS 1354

(Purchase hardware separately)

Position Cleat in desired location. Use Cleat as a drill guide and drill  $\frac{1}{4}$ " holes 2" deep. Secure with  $\frac{3}{8}$ " x 2" lag screws with  $\frac{3}{8}$ " washers as shown.

*Refer to your specific project for locations.*



**T**hank You for choosing PlayStar. Because it is our intention to make this a positive family experience, we have taken great care in preparing this product. Should you have any questions or if we can assist you in any way, please call our friendly Customer Service Department for immediate action.

Do not return to the store.  
**Please call us Toll Free at 1-888-PLAYSTAR**  
(752-9782)

Monday through Friday, 8:00 A.M. to 5:00 P.M. C.S.T.

Ask for Customer Service.

**We Will Gladly Help!**



PlayStar, Incorporated, Janesville, WI 53547

© 2010, PlayStar, Inc. Reproduction of this document in part or whole is prohibited without the permission of PlayStar, Inc.

Patents Pending or Protected by one or more of the following United States or Foreign Patents: US 6,098,564; US 6,145,463; US 7,153,064; CA 2,270,012; CA 2,261,438